

NOTE
-ALL DIMENSION IN mm

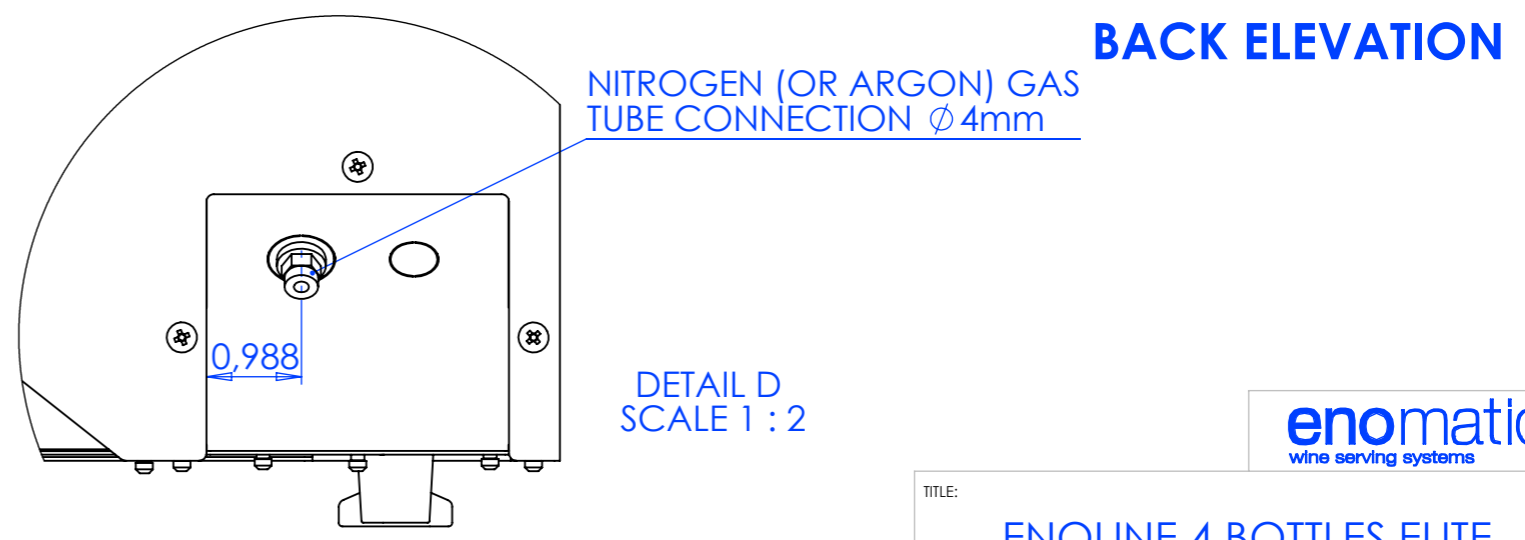
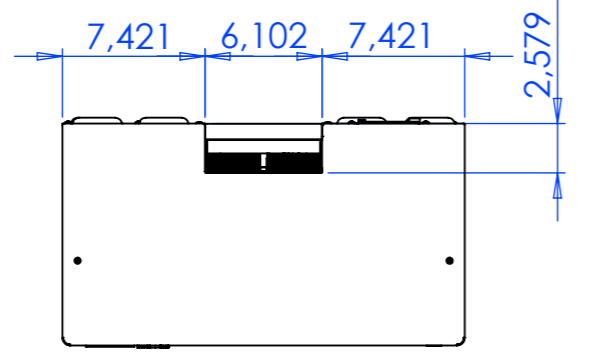
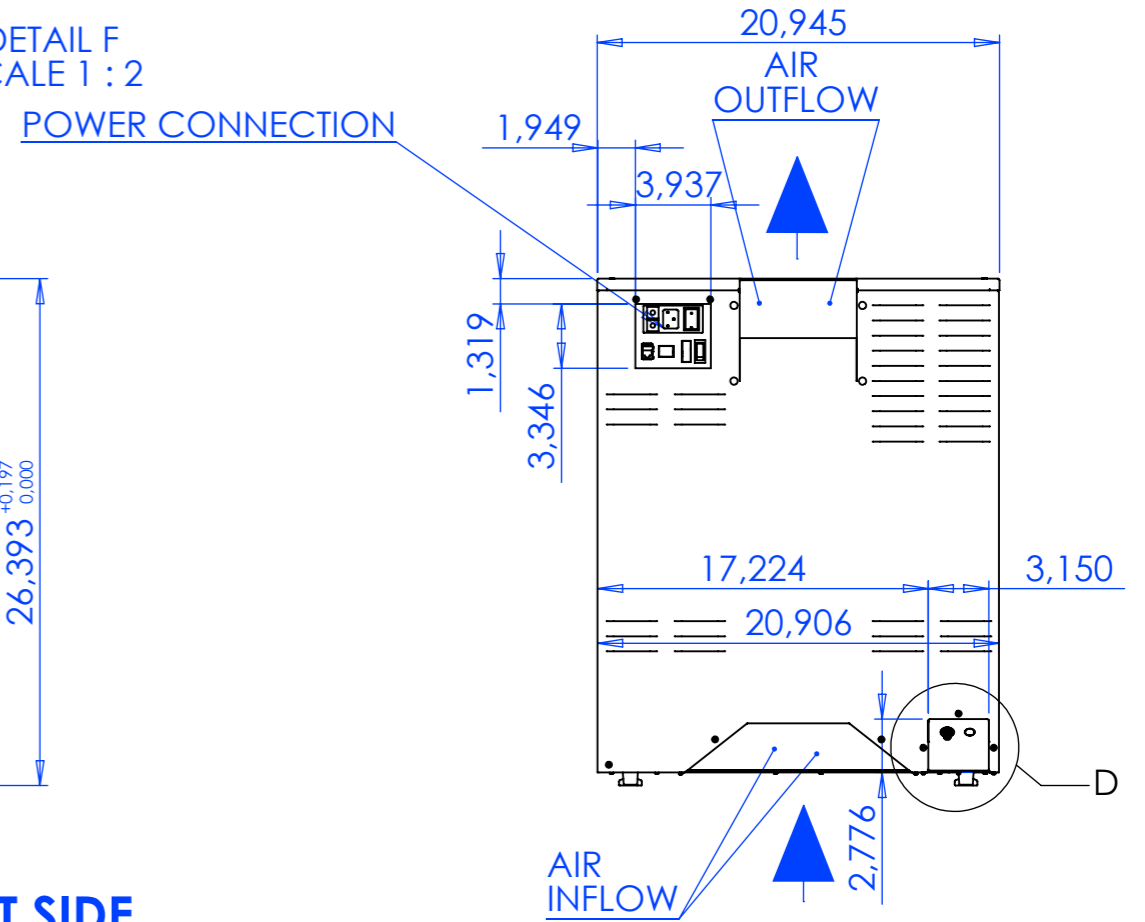
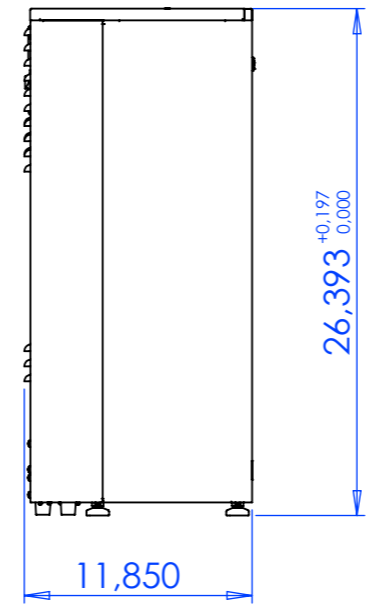
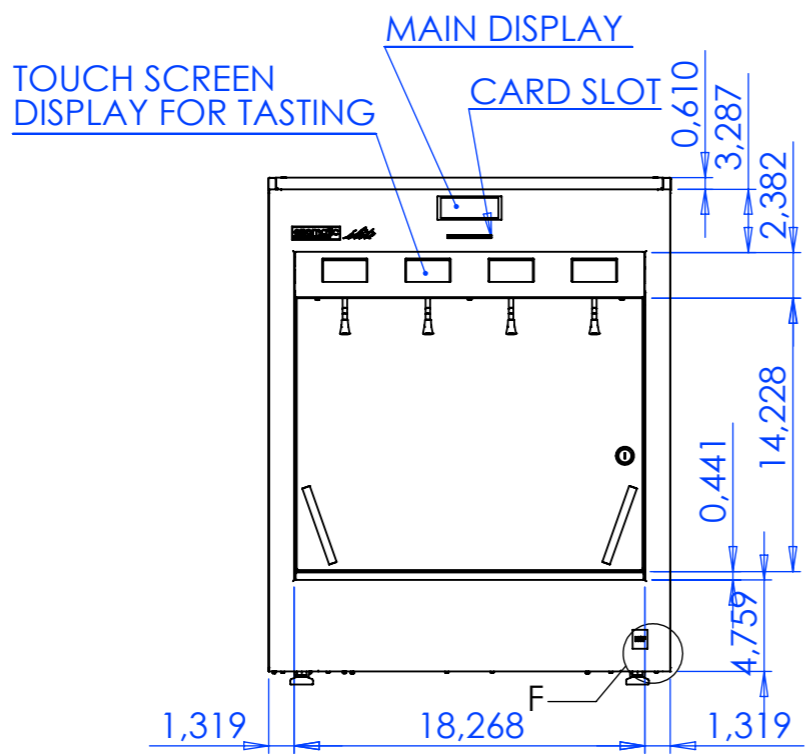
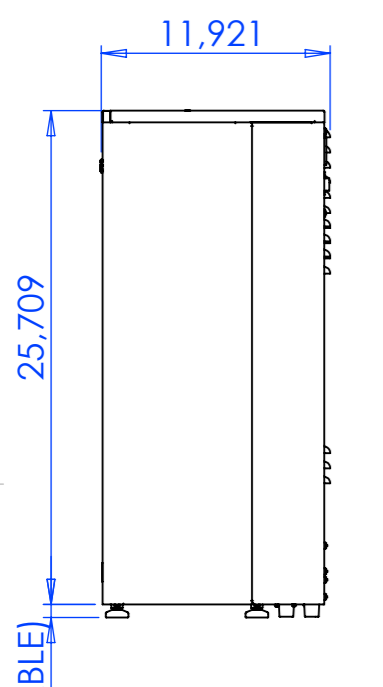
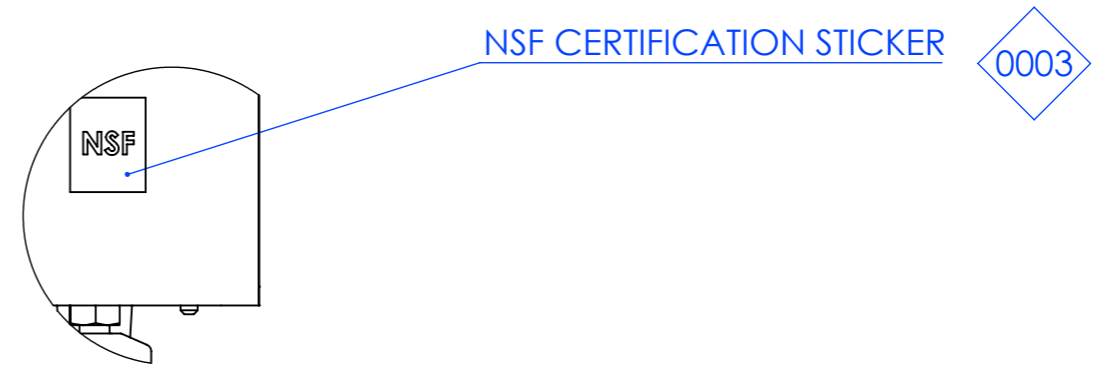
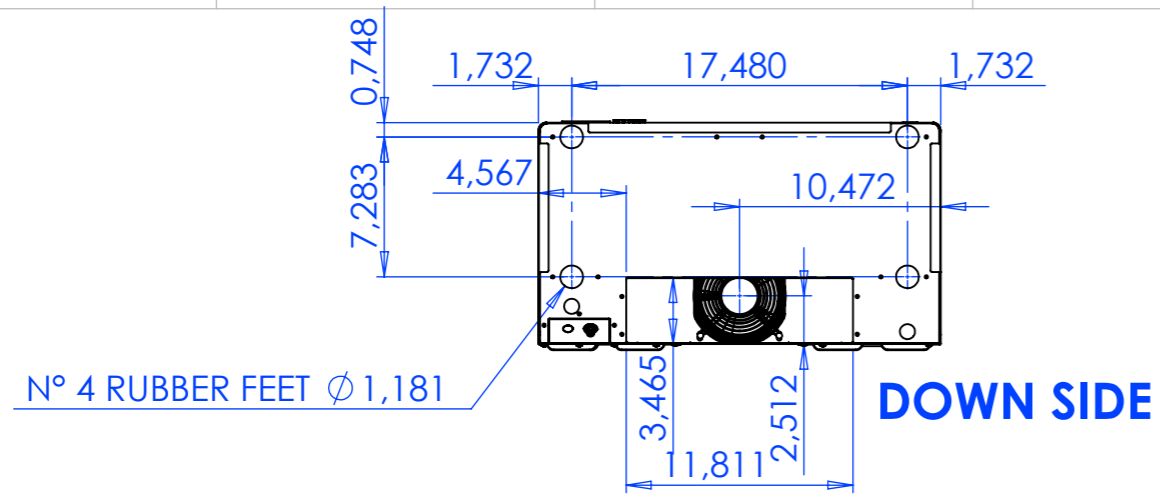
PROPRIETARY AND CONFIDENTIAL
THE INFORMATION CONTAINED IN THIS DRAWING IS THE SOLE PROPERTY OF <INSERT COMPANY NAME HERE>. ANY REPRODUCTION IN PART OR AS A WHOLE WITHOUT THE WRITTEN PERMISSION OF <INSERT COMPANY NAME HERE> IS PROHIBITED.

0003	ADDED NOTE TO NSF	04/02/2014	BAGNOLI		
0002	AGG. QUOTE IN POLLICI DIMENS. INCHES ADDED	11/07/2011	PANICHI		
0001		20/07/2009			
REV.	DESCRIPTION	DATE	EXECUTOR	CHK'D	APPV'D
CODE:	MATERIAL:		MATERIAL CODE:	WEIGHT Kg:	
	/				

TITLE: **ENOLINE 4 BOTTLES ELITE**

DWG NO. **EC24-YM000**

SCALE: 1:10 | LANGUAGE: ENGLISH | FINISH: | THICKNESS: | SHEET 1 OF 6



0,685^{+0,197}_{0,000} (ADJUSTABLE)

NOTE
-ALL DIMENSION inches

PROPRIETARY AND CONFIDENTIAL
THE INFORMATION CONTAINED IN THIS DRAWING IS THE SOLE PROPERTY OF <INSERT COMPANY NAME HERE>. ANY REPRODUCTION IN PART OR AS A WHOLE WITHOUT THE WRITTEN PERMISSION OF <INSERT COMPANY NAME HERE> IS PROHIBITED.

CODE:	MATERIAL:	MATERIAL CODE:	WEIGHT Kg:
	/		

enomatic®
wine serving systems

TITLE: **ENOLINE 4 BOTTLES ELITE**

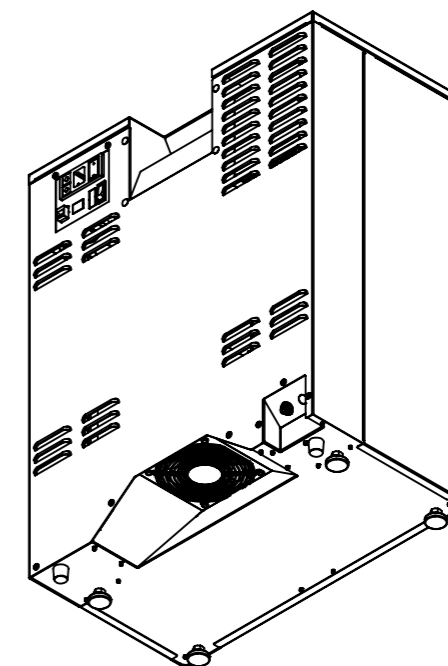
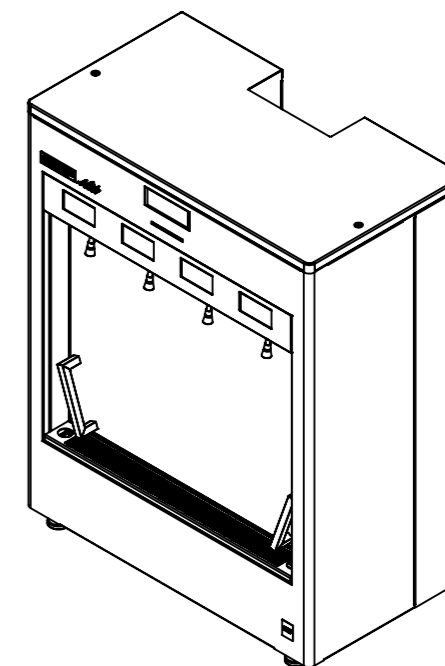
DWG NO. **EC24-YM000**

SCALE: 1:10 LANGUAGE: ENGLISH FINISH: THICKNESS: SHEET 2 OF 6

A3

ENOLINE 4 BOTTLES ELITE

SIZE	HEIGHT (MIN -MAX)	670 - 675 mm	26,39 - 26,59 inches
	WIDTH	532 mm	20.945 inches
	DEPTH	303 mm	11,92 inches
WEIGHT (Kg)		45	
FINISH MATERIALS		STAINLESS STEEL 304	
ELETRICAL FEATURES	VOLTAGE (V)	110÷220	
	FREQUENCY (Hz)	60÷50	
	POWER (W)	250	
	FUSES	2X10 Amp	
N° 1 TERMO ELETRIC MODULES			
N° 1 T.E.M. SPECIFICATION	COOLING POWER	102 W	
	ELECTRIC POWER	130 W	
	NOMINAL CURRENT	5.6 Amp	
	INITIAL CURRENT	6.6 Amp	
	VOLTAGE	24 V DC	
	TEMPERATURE CONTROL	ELECTRONIC CONTROLLER	
	DEFROST METHOD	AUTOMATIC VIA ELECTRONIC CONTROLLER	
	METHOD OF DISPLAYNG TEMPERATURE	DIGITAL	
NITROGEN (OR ARGON) GAS PRESSURE		0.16 BAR	
N° 4 ELECTRIC PISTON TO LIFT BOTTLES			
N° 1 ELECTRIC PISTON	VOLTAGE	24 V DC	
	NOMINAL CURRENT	1 Amp	
	MAX CURRENT	2.2 Amp	
ACCEPTER BOTTLES	HEIGHT	280÷360 mm	11.024÷14.173 inches
	Ø MAX	102 mm	4.016 inches
NSF CERTIFICATION		NSF/ANSI Standard 25 - Vending Machines for Food and Beverages	



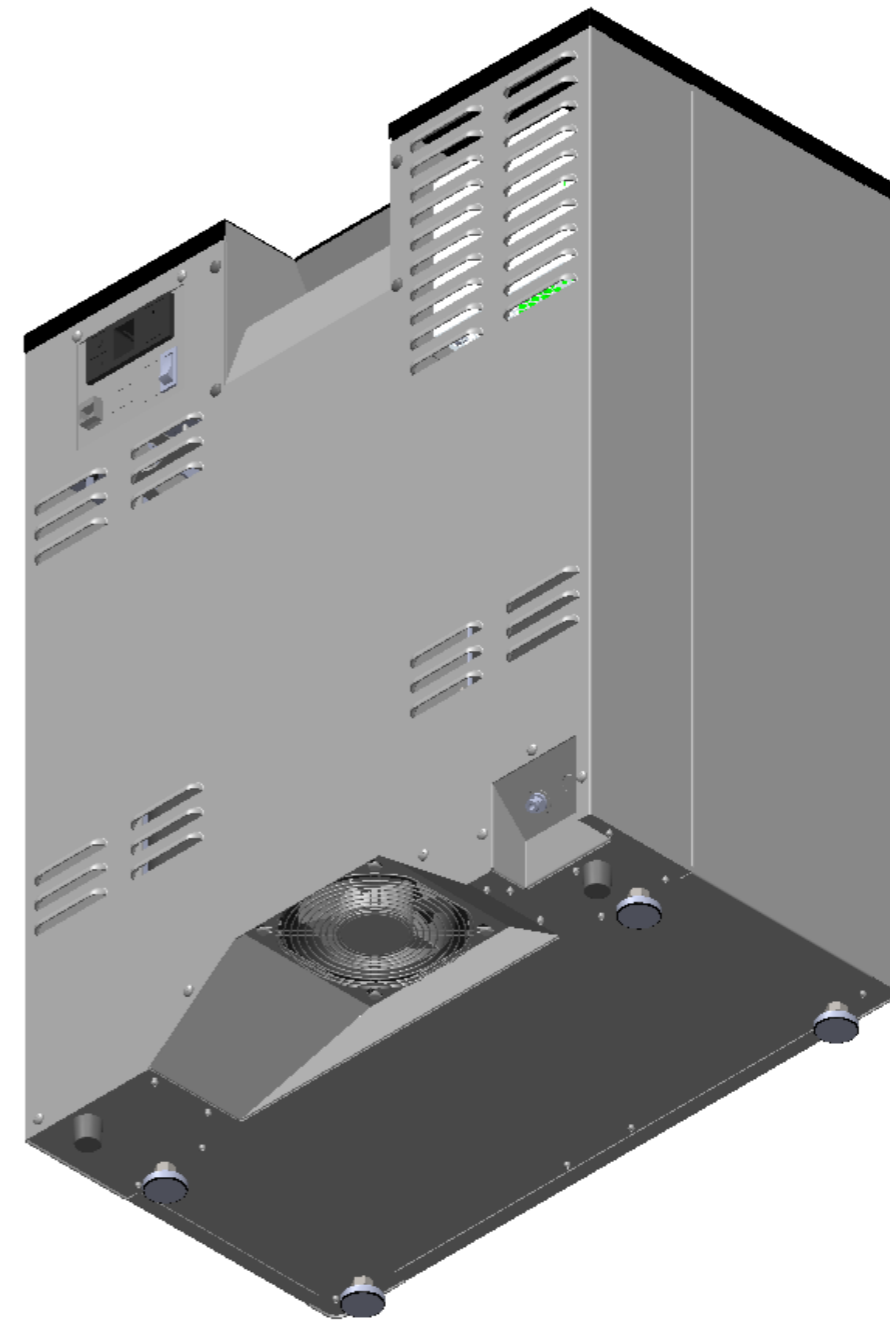
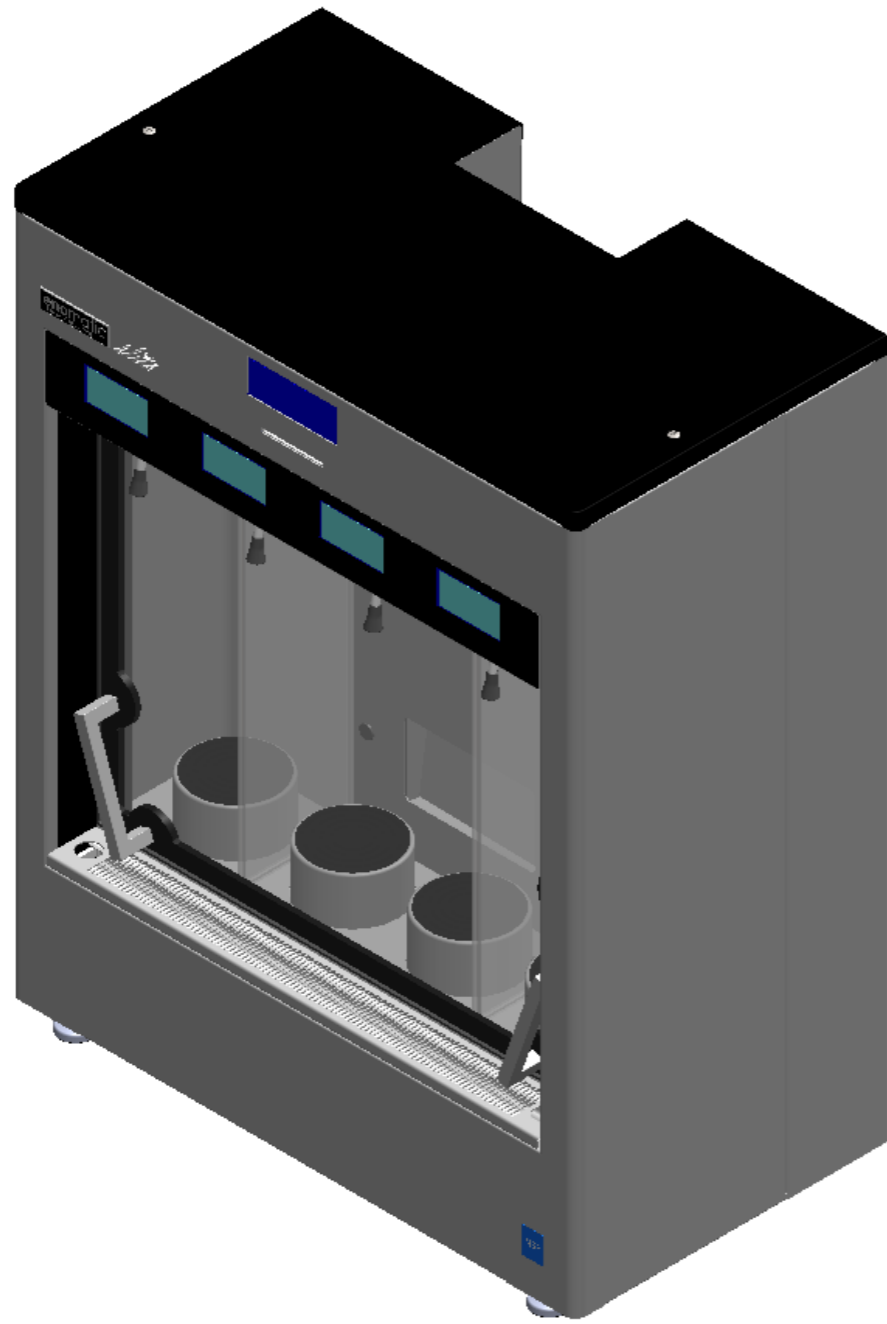
ROOM TEMPERATURE + - 0,5°C	MINIMUM TEMPERATURE REACHBLE AFTER 3 HOURS	
	C°	F°
18	5,5	41,9
20	6,2	43,2
22	6,6	43,9
24	7,0	44,6
26	7,5	45,5
28	7,9	46,2
30	8,2	46,8
32	8,8	47,8

PROPRIETARY AND CONFIDENTIAL
 THE INFORMATION CONTAINED IN THIS DRAWING IS THE SOLE PROPERTY OF <INSERT COMPANY NAME HERE>. ANY REPRODUCTION IN PART OR AS A WHOLE WITHOUT THE WRITTEN PERMISSION OF <INSERT COMPANY NAME HERE> IS PROHIBITED.

CODE:	MATERIAL:	MATERIAL CODE:	WEIGHT Kg:
	/		



TITLE: ENOLINE 4 BOTTLES ELITE	
DWG NO. EC24-YM000	A3
SCALE:1:10	LANGUAGE: ENGLISH
FINISH:	THICKNESS:
SHEET 3 OF 6	

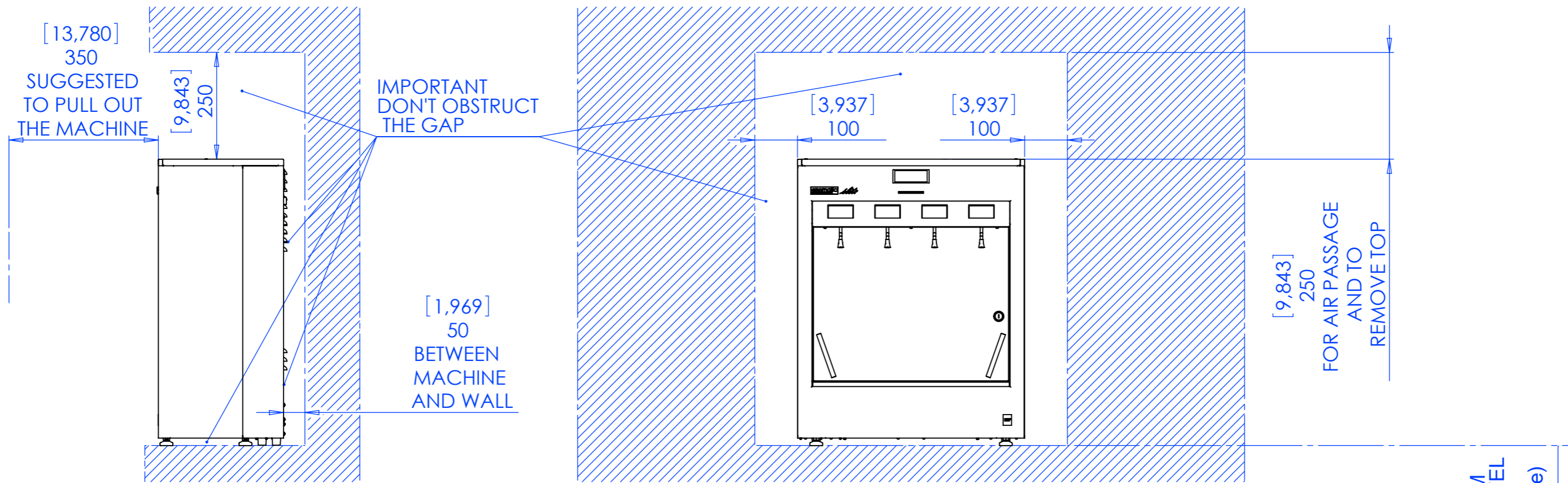


enomatic®
wine serving systems

TITLE:		ENOLINE 4 BOTTLES ELITE	
DWG NO.		EC24-YM000	
SCALE:1:5	LANGUAGE: ENGLISH	FINISH:	THICKNESS:
			SHEET 4 OF 6

PROPRIETARY AND CONFIDENTIAL
THE INFORMATION CONTAINED IN THIS DRAWING IS THE SOLE PROPERTY OF <INSERT COMPANY NAME HERE>. ANY REPRODUCTION IN PART OR AS A WHOLE WITHOUT THE WRITTEN PERMISSION OF <INSERT COMPANY NAME HERE> IS PROHIBITED.

CODE:	MATERIAL:	MATERIAL CODE:	WEIGHT Kg:
	/		



RIGHT SIDE

FRONT ELEVATION

**1 - EXAMPLE INSTALLATION - POSITIONING IN FORESEEN BOX
(DIMENSION IN mm (inches) REFER TO MINIMAL REQUIRED
CLEARANCE FOR PROPER PERFORMANCES)**

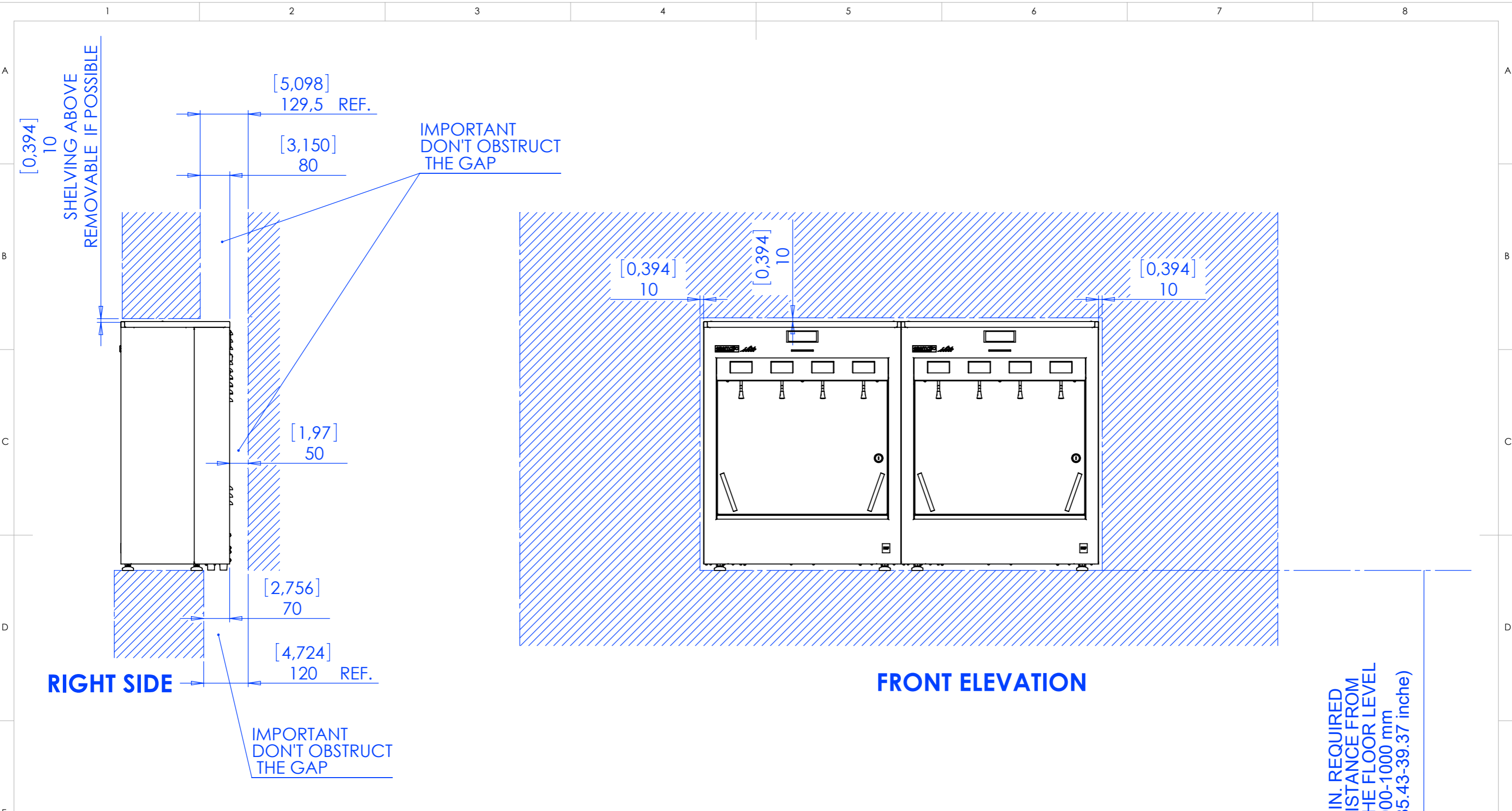
MIN. REQUIRED
DISTANCE FROM
THE FLOOR LEVEL
900-1000 mm
(35.43-39.37 inches)



TITLE: ENOLINE 4 BOTTLES ELITE	
DWG NO. EC24-YM000	A3
SCALE:1:5	LANGUAGE: ENGLISH
FINISH:	THICKNESS:
SHEET 5 OF 6	

PROPRIETARY AND CONFIDENTIAL
THE INFORMATION CONTAINED IN THIS
DRAWING IS THE SOLE PROPERTY OF
<INSERT COMPANY NAME HERE>. ANY
REPRODUCTION IN PART OR AS A WHOLE
WITHOUT THE WRITTEN PERMISSION OF
<INSERT COMPANY NAME HERE> IS
PROHIBITED.

CODE:	MATERIAL:	MATERIAL CODE:	WEIGHT Kg:
	/		



2 - EXAMPLE INSTALLATION - BUILT-IN POSITIONING (DIMENSION IN mm (inches) REFER TO MINIMAL REQUIRED CLEARANCE FOR PROPER PERFORMANCES)



TITLE:		ENOLINE 4 BOTTLES ELITE	
DWG NO.		EC24-YM000	
SCALE:1:5	LANGUAGE:ENGLISH	FINISH:	THICKNESS:
			SHEET 6 OF 6

PROPRIETARY AND CONFIDENTIAL
THE INFORMATION CONTAINED IN THIS DRAWING IS THE SOLE PROPERTY OF <INSERT COMPANY NAME HERE>. ANY REPRODUCTION IN PART OR AS A WHOLE WITHOUT THE WRITTEN PERMISSION OF <INSERT COMPANY NAME HERE> IS PROHIBITED.

CODE:	MATERIAL:	MATERIAL CODE:	WEIGHT Kg:
	/		