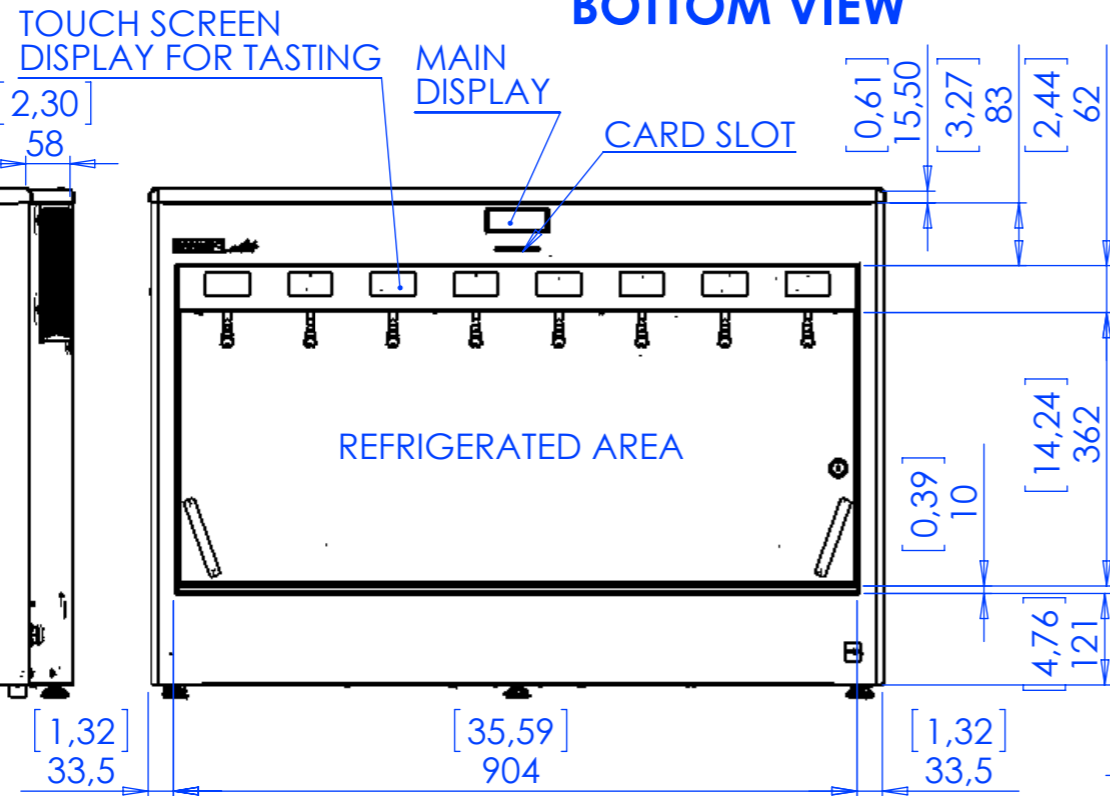
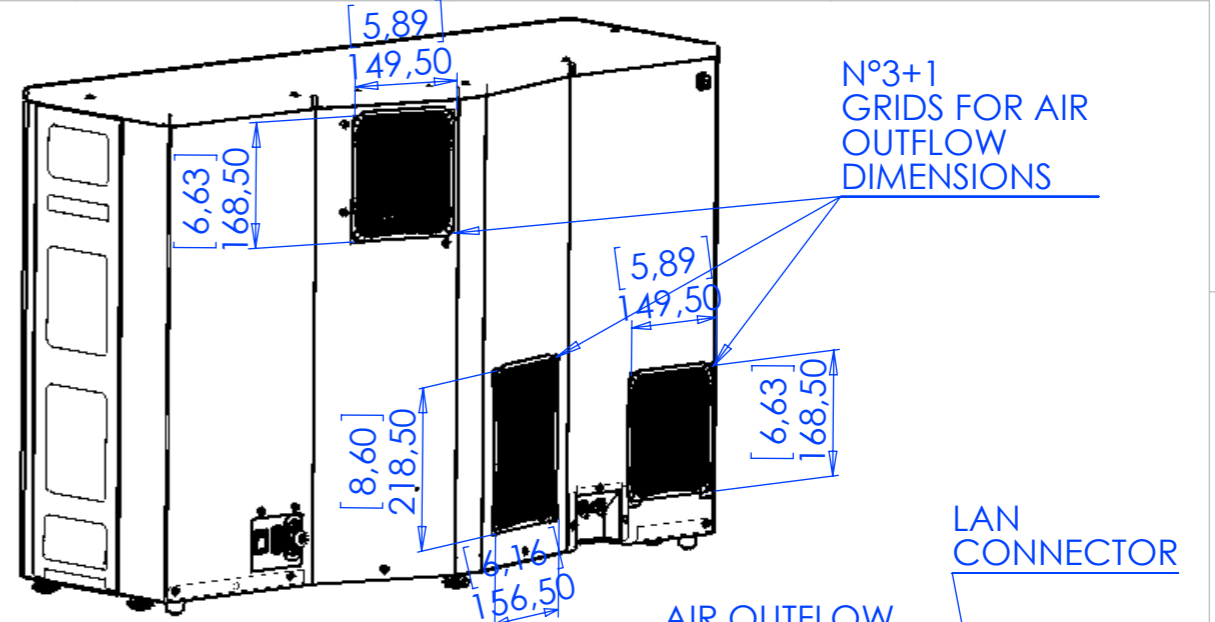
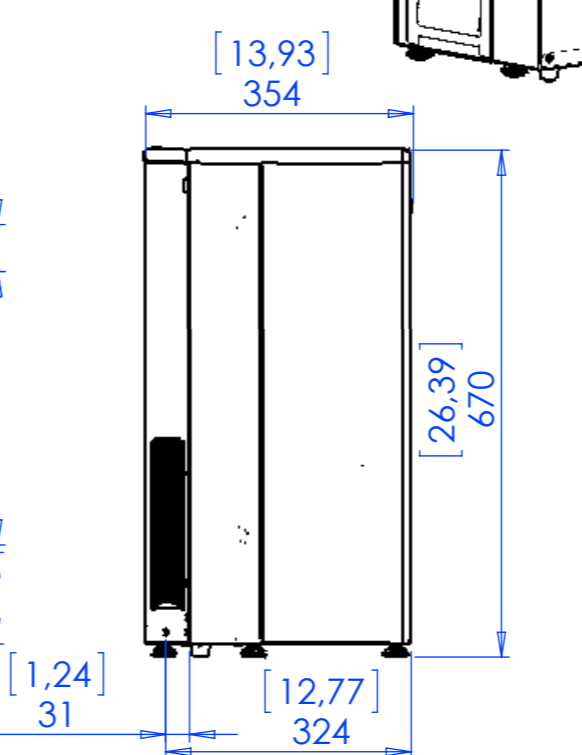


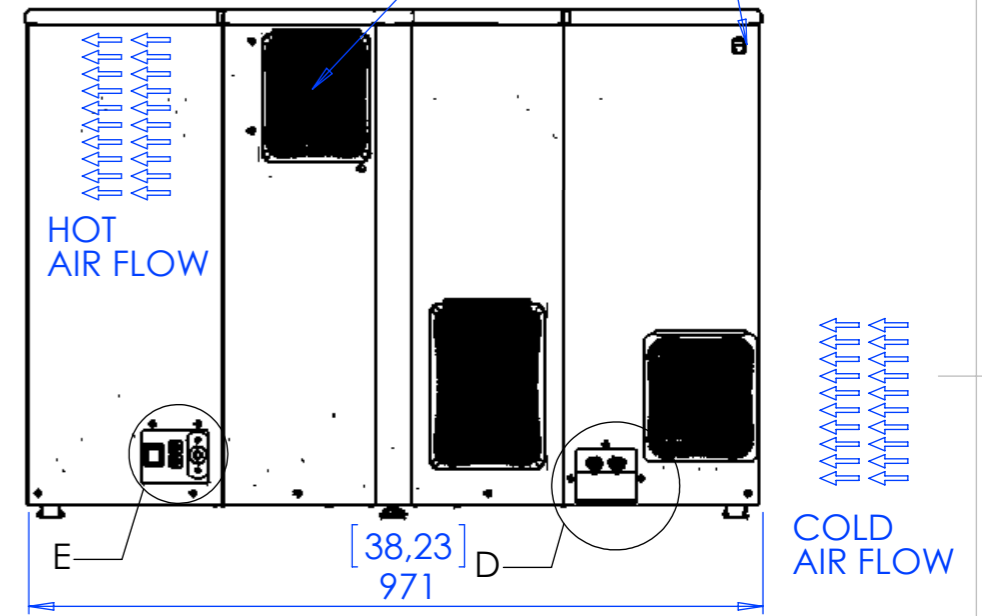
**BOTTOM VIEW**



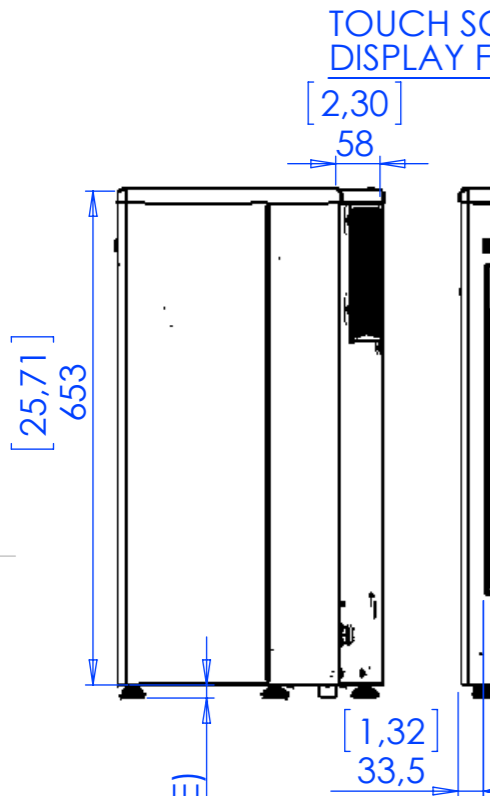
**FRONT ELEVATION**



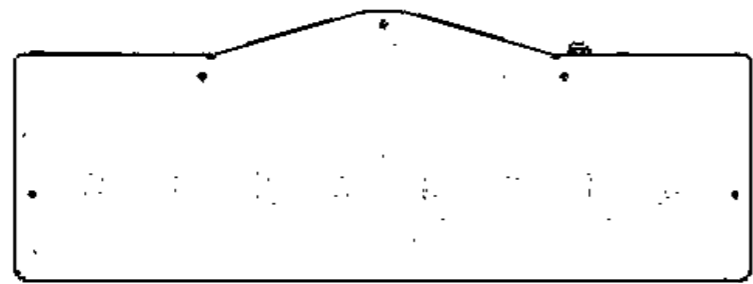
**LEFT SIDE**



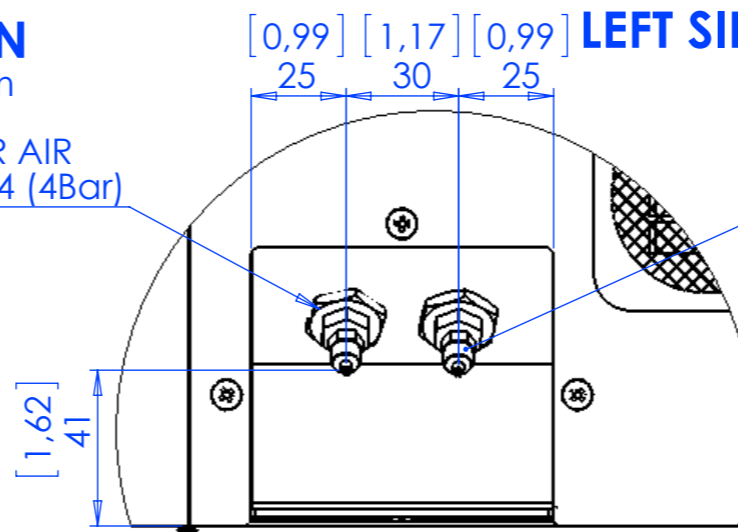
**BACK ELEVATION**



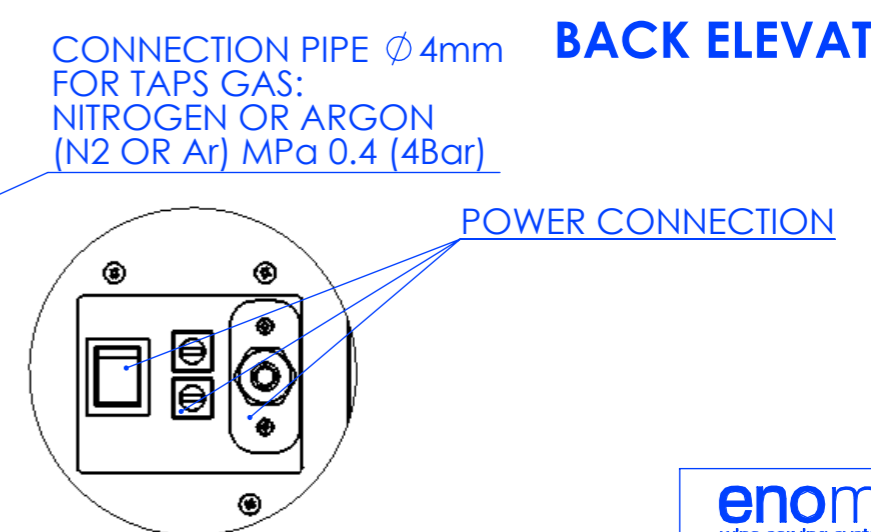
**RIGHT SIDE**



**TOP VIEW**



**DETAIL D SCALE 1 : 2**



**DETAIL E SCALE 1 : 3**

**NOTE**

-DIMENSION mm  
-DIMENSION [inches]

**PROPRIETARY AND CONFIDENTIAL**  
THE INFORMATION CONTAINED IN THIS DRAWING IS THE SOLE PROPERTY OF ENOMATIC. ANY REPRODUCTION IN PART OR AS A WHOLE WITHOUT THE WRITTEN PERMISSION OF ENOMATIC IS PROHIBITED.

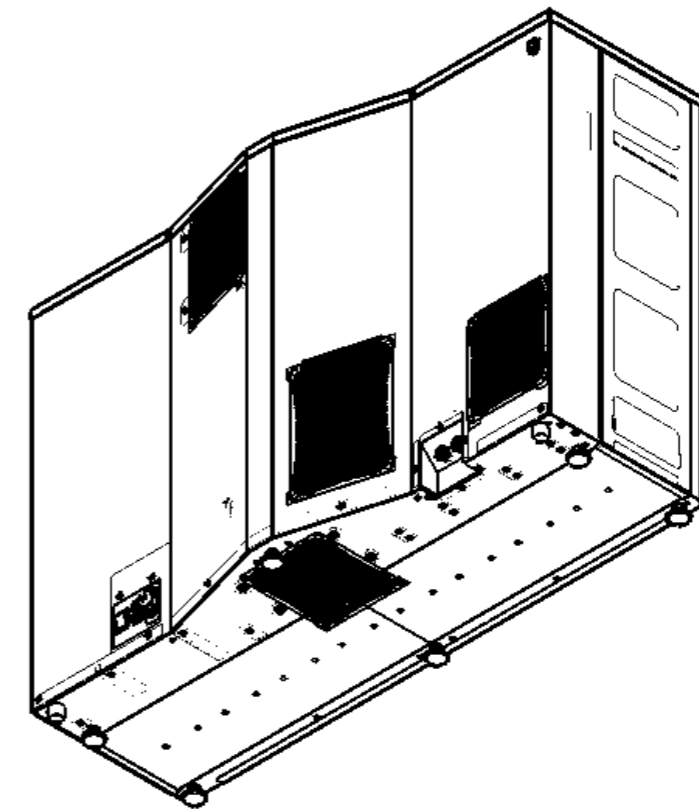
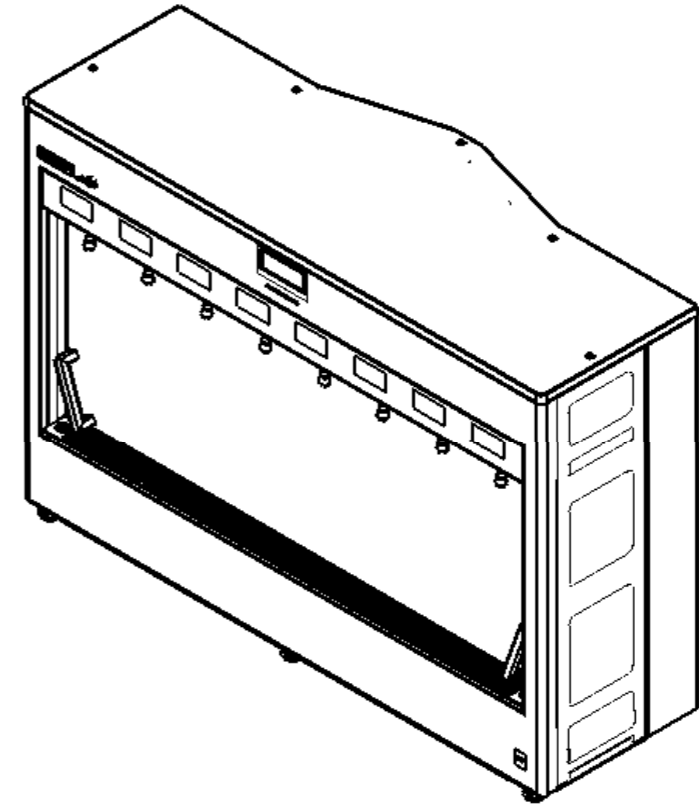
REV.	DESCRIPTION	DATE	EXECUTOR	CHK'D	APPV'D
01	EMISSIONE-ISSUE	19/09/2013	M.BAGNOLI		
	CODE:	MATERIAL:	MATERIAL CODE:	WEIGHT Kg:	

**enomatic®**  
wine serving systems

TITLE:  
**ELITE 2.5 ENOLINE 4 + 4 REF.**

DWG NO.	<b>EC285-YM000</b>	A3
QUOTE SENZA INDICAZIONI DI TOLLERANZA SECONDO UNI EN 22768 - mH DIMENSIONS WITHOUT TOLERANCE FIGURES, ACCORDING TO UNI EN 22768 - mH STANDARD		
SCALE:1:10	LANGUAGE: ITALIANO	FINISH: THICKNESS: SHEET 1 OF 5

ENOLINE 8 BOTTLES ELITE 2.5			
SIZE (mm)	HEIGHT (MIN -MAX)	670-675mm [26.39-26.59]	
	DEPTH	354mm [13.93]	
	WIDTH	971mm [38.23]	
WEIGHT (Kg)	72 Kg		
FINISH MATERIALS	STAINLESS STEEL 304 - PAINTED STEEL		
ELETRICAL FEATURES		VERSION FOR USA & CANADA MARKETS	ALL OTHER MARKETS
	VOLTAGE (V)	110	220
	FREQUENCY (Hz)	60	50
	POWER (W)	135	135
REFRIGERATION COMPRESSOR SPECIFICATION	FUSES	2X8 Amp	2X8 Amp
	REFRIGERATION GAS	R-134A	
	TEMPERATURE CONTROL	ELECTRONIC CONTROLLER	
	DEFROST METHOD	AUTOMATIC VIA ELECTRONIC CONTROLLER	
	METHOD OF DISPLAYNG TEMPERATURE	DIGITAL	
PRESSION GAS FOR TAPS (ARGON OR NITROGEN)		MPa 0.4 (4 Bar)	
PRESSION GAS FOR PISTONS (ARGON OR NITROGEN OR AIR)		MPa 0.4 (4 Bar)	
ACCEPTER BOTTLES	HEIGHT	280÷360mm [11.024÷14.173]	
	Ø MAX	102mm [4.016]	



**NOTE**

-DIMENSION mm  
-DIMENSION [inches]

**PROPRIETARY AND CONFIDENTIAL**  
THE INFORMATION CONTAINED IN THIS DRAWING IS THE SOLE PROPERTY OF ENOMATIC. ANY REPRODUCTION IN PART OR AS A WHOLE WITHOUT THE WRITTEN PERMISSION OF ENOMATIC IS PROHIBITED.

CODE:	MATERIAL:	MATERIAL CODE:	WEIGHT Kg:

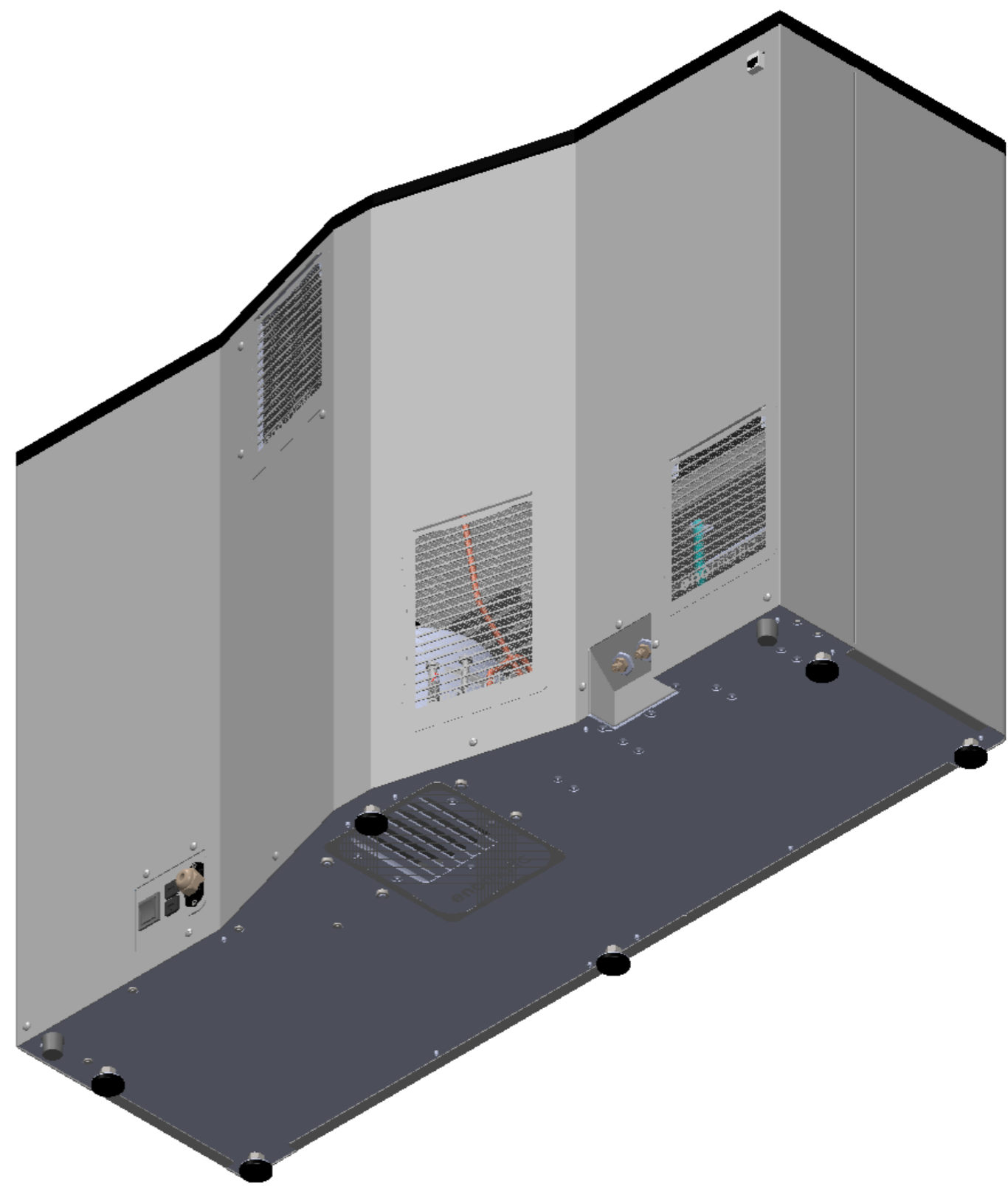
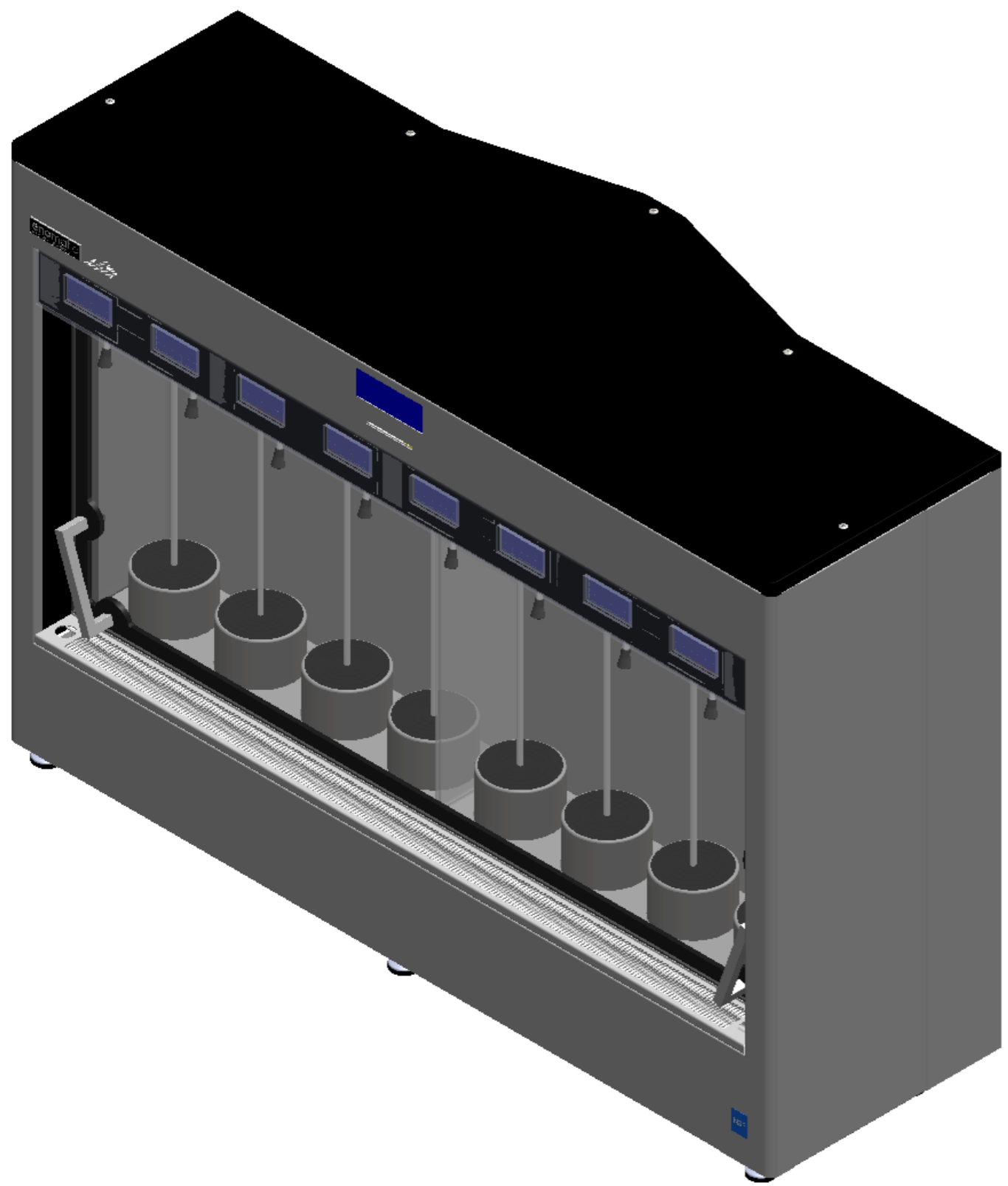


TITLE: **ELITE 2.5 ENOLINE 4 + 4 REF.**

DWG NO. **EC285-YM000** A3

QUOTE SENZA INDICAZIONI DI TOLLERANZA SECONDO UNI EN 22768 - mH  
DIMENSIONS WITHOUT TOLERANCE FIGURES, ACCORDING TO UNI EN 22768 - mH STANDARD

SCALE:1:10 LANGUAGE: ITALIANO FINISH: THICKNESS: SHEET 2 OF 5

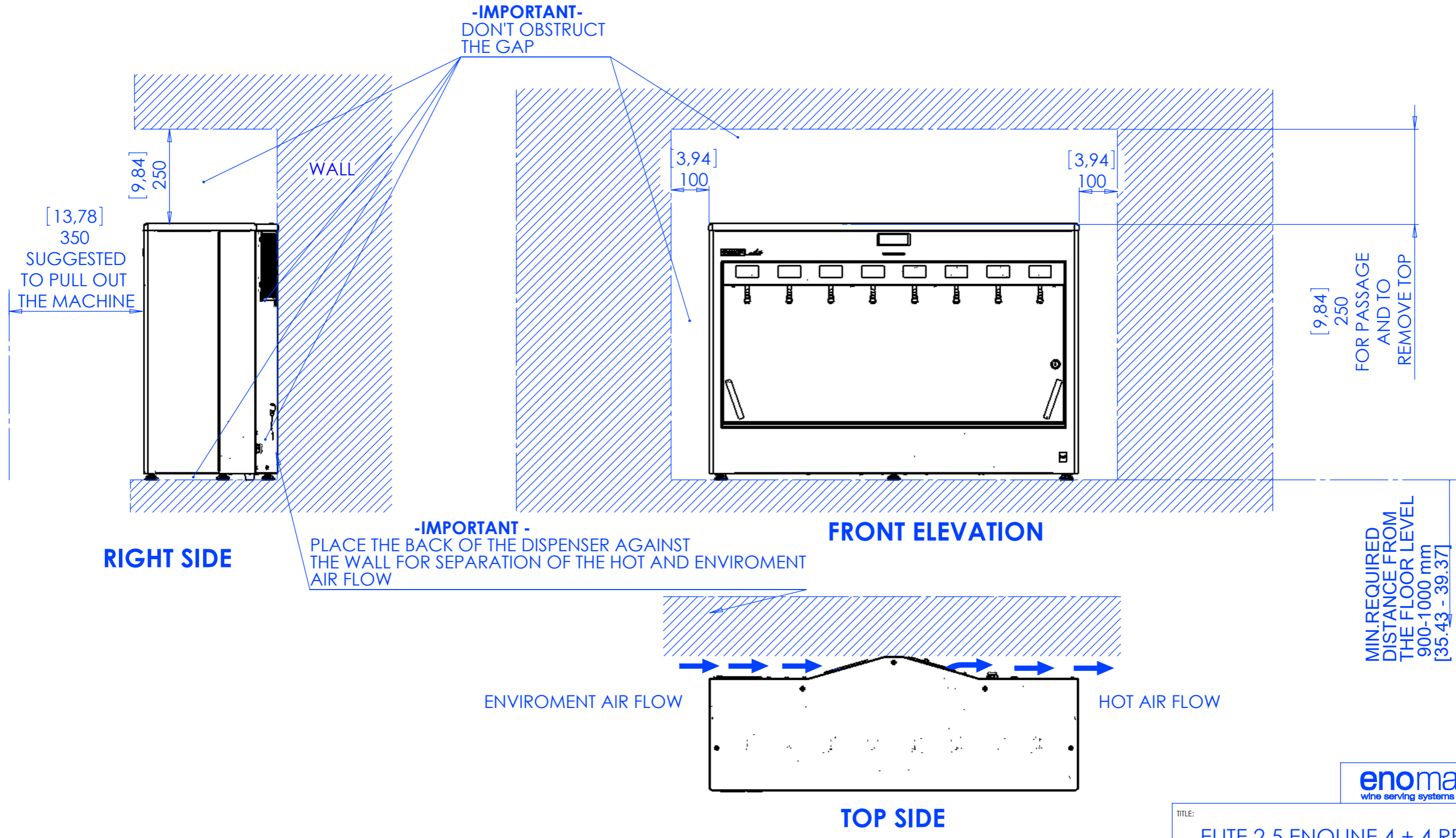


TITLE:		ELITE 2.5 ENOLINE 4 + 4 REF.	
DWG NO.	EC285-YM000	A3	
<small>QUOTE SENZA INDICAZIONI DI TOLLERANZA SECONDO UNI EN 22768 - mH          DIMENSIONS WITHOUT TOLERANCE FIGURES, ACCORDING TO UNI EN 22768 - mH. STANDARD</small>			
SCALE:1:5	LANGUAGE: ITALIANO	FINISH:	THICKNESS:

**PROPRIETARY AND CONFIDENTIAL**  
 THE INFORMATION CONTAINED IN THIS DRAWING IS THE SOLE PROPERTY OF ENOMATIC. ANY REPRODUCTION IN PART OR AS A WHOLE WITHOUT THE WRITTEN PERMISSION OF ENOMATIC IS PROHIBITED.

CODE:	MATERIAL:	MATERIAL CODE:	WEIGHT Kg:

# 1 -INSTALLATION EXAMPLE- POSITIONING IN FORESEEN BOX (DIMENSION IN mm [inches] ,REFER TO MINIMAL REQUIRED CLEARANCE FOR PROPER PERFORMANCES)



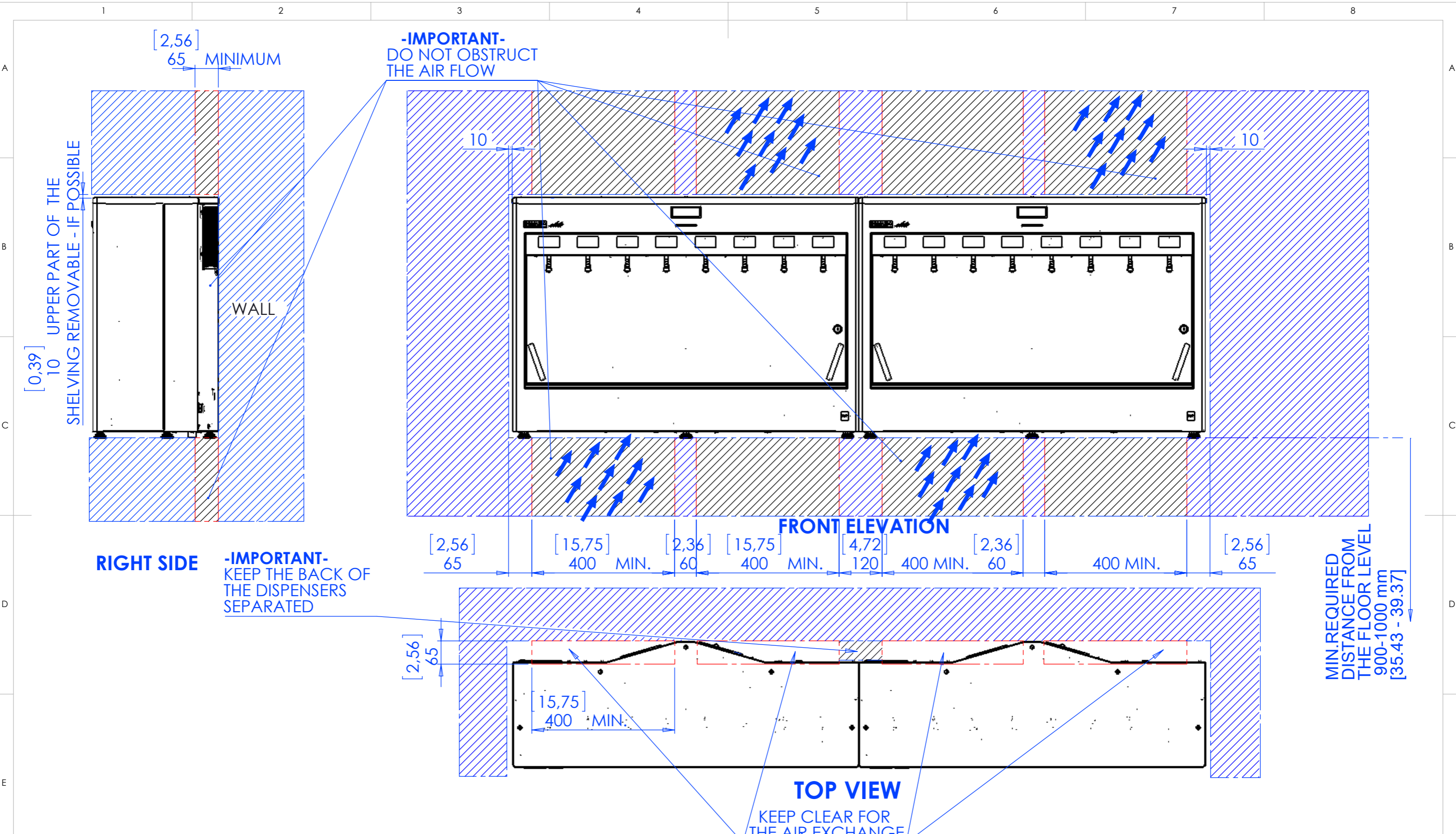
**NOTE**  
 -DIMENSION mm  
 -DIMENSION [inches]

**PROPRIETARY AND CONFIDENTIAL**  
 THE INFORMATION CONTAINED IN THIS DRAWING IS THE SOLE PROPERTY OF ENOMATIC. ANY REPRODUCTION IN PART OR AS A WHOLE WITHOUT THE WRITTEN PERMISSION OF ENOMATIC IS PROHIBITED.

CODE:	MATERIAL:	MATERIAL CODE:	WEIGHT Kg:



TITLE: <b>ELITE 2.5 ENOLINE 4 + 4 REF.</b>	
DWG NO. <b>EC285-YM000</b>	<b>A3</b>
<small>QUOTE SENZA INDICAZIONI DI TOLLERANZA SECONDO UNI EN 22768 - mH          DIMENSIONS WITHOUT TOLERANCE FIGURES, ACCORDING TO UNI EN 22768 - mH STANDARD</small>	
SCALE:1:10 LANGUAGE: ITALIANO FINISH: THICKNESS:	SHEET 4 OF 5



## 2 - INSTALLATION EXAMPLE- BUILT - IN POSITIONING (DIMENSION IN mm [inches], REFER TO MINIMAL REQUIRED CLEARANCE FOR PROPER PERFORMANCES)

NOTE

-DIMENSION mm  
 -DIMENSION [inches]

**PROPRIETARY AND CONFIDENTIAL**  
 THE INFORMATION CONTAINED IN THIS DRAWING IS THE SOLE PROPERTY OF ENOMATIC. ANY REPRODUCTION IN PART OR AS A WHOLE WITHOUT THE WRITTEN PERMISSION OF ENOMATIC IS PROHIBITED.

CODE:	MATERIAL:	MATERIAL CODE:	WEIGHT Kg:

**enomatic®**  
 wine serving systems

TITLE:	ELITE 2.5 ENOLINE 4 + 4 REF.		
DWG NO.	EC285-YM000	A3	
QUOTE SENZA INDICAZIONI DI TOLLERANZA SECONDO UNI EN 22768 - mH			
DIMENSIONS WITHOUT TOLERANCE FIGURES, ACCORDING TO UNI EN 22768 - mH STANDARD			
SCALE:1:10	LANGUAGE: ITALIANO	FINISH:	THICKNESS: