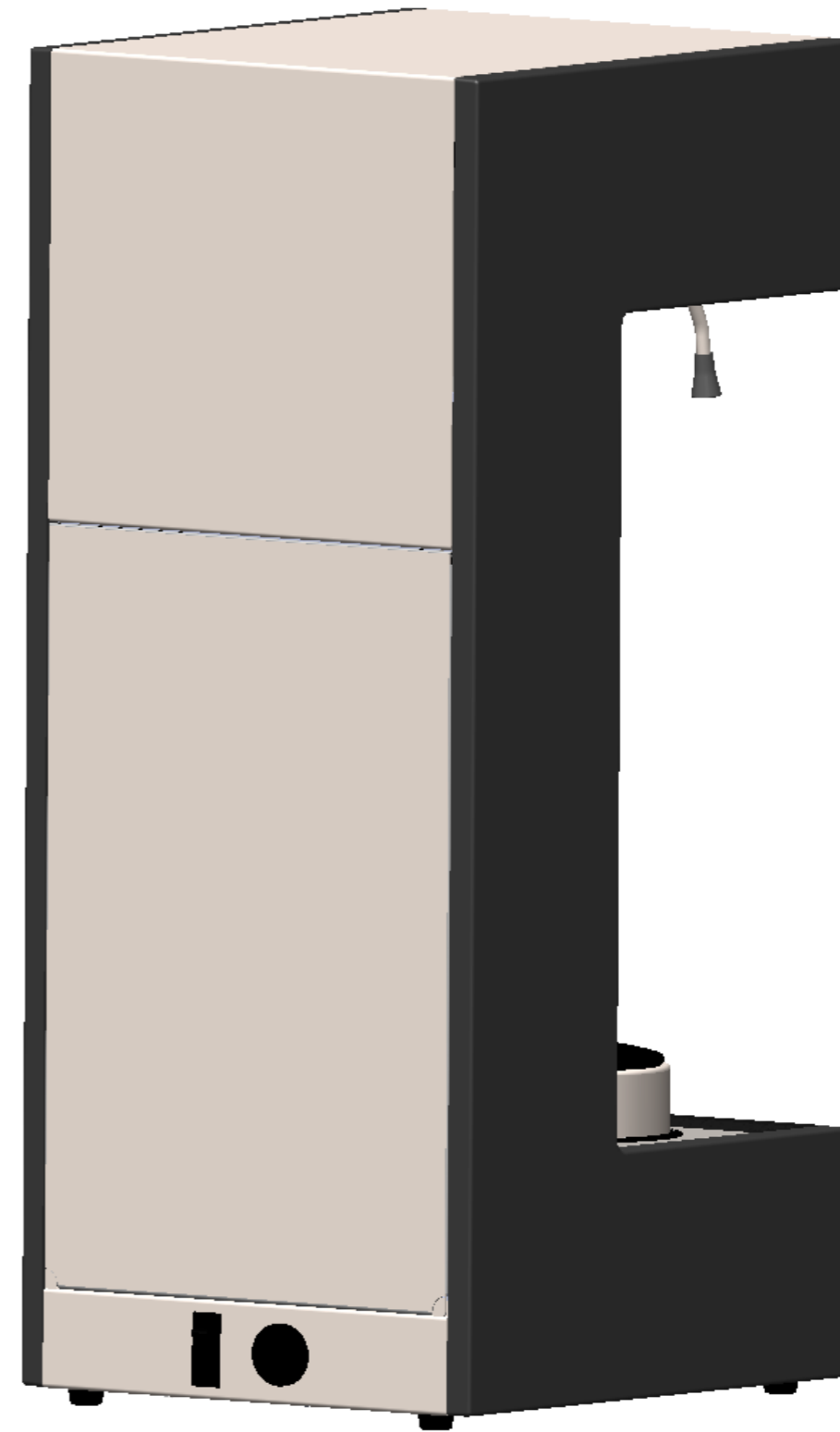


# ENOLIVING 2 BOTT.



PROPRIETARY AND CONFIDENTIAL  
THE INFORMATION CONTAINED IN THIS  
DRAWING IS THE SOLE PROPERTY OF  
ENOMATIC. ANY REPRODUCTION IN  
PART OR AS A WHOLE WITHOUT THE  
WRITTEN PERMISSION OF ENOMATIC  
IS PROHIBITED.

REV.	DESCRIPTION	DATE	EXECUTOR	CHK'D	APPV'D
03	REV. GEN. GEN. REV.	16/07/2013	PANICHI		
02	REVISIONATA TAVOLA 4 - REV. SHEET 4	10/07/2013	PANICHI		
01	EMISSIONE-ISSUE	06/03/2013	M.BAGNOLI		

CODE:	MATERIAL:	MATERIAL CODE:	WEIGHT Kg:
	/		

TITLE: **ENOLIVING 2 BOTT.**

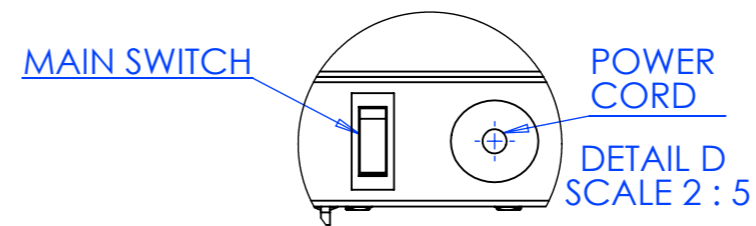
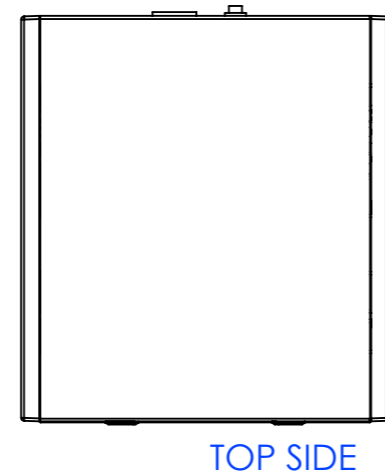
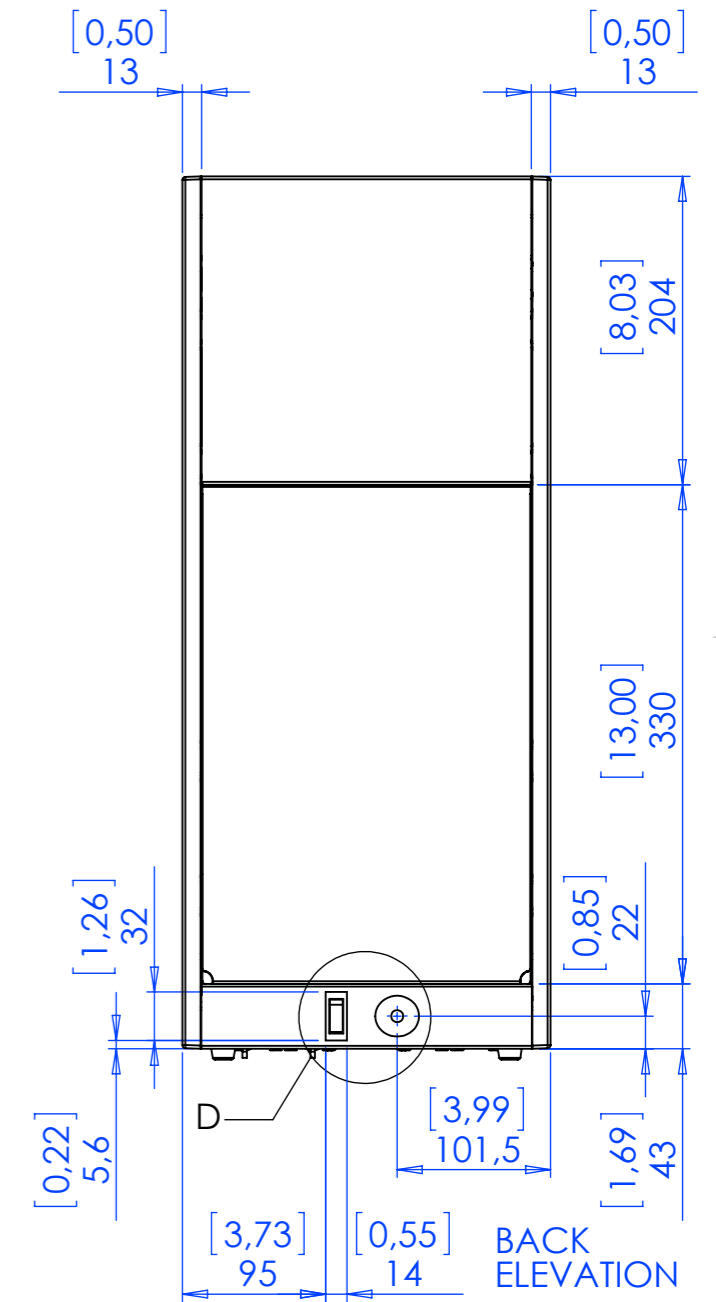
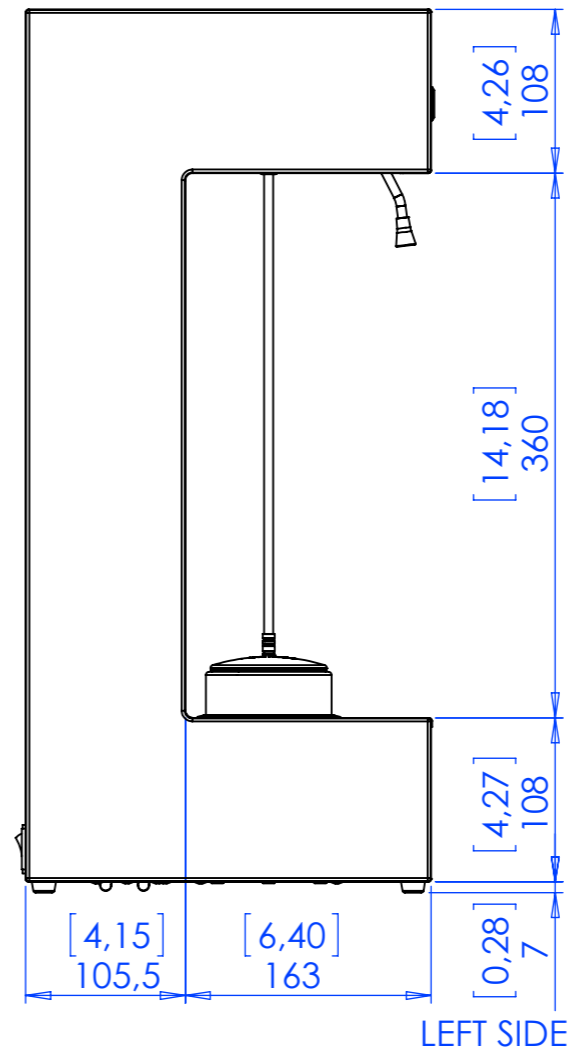
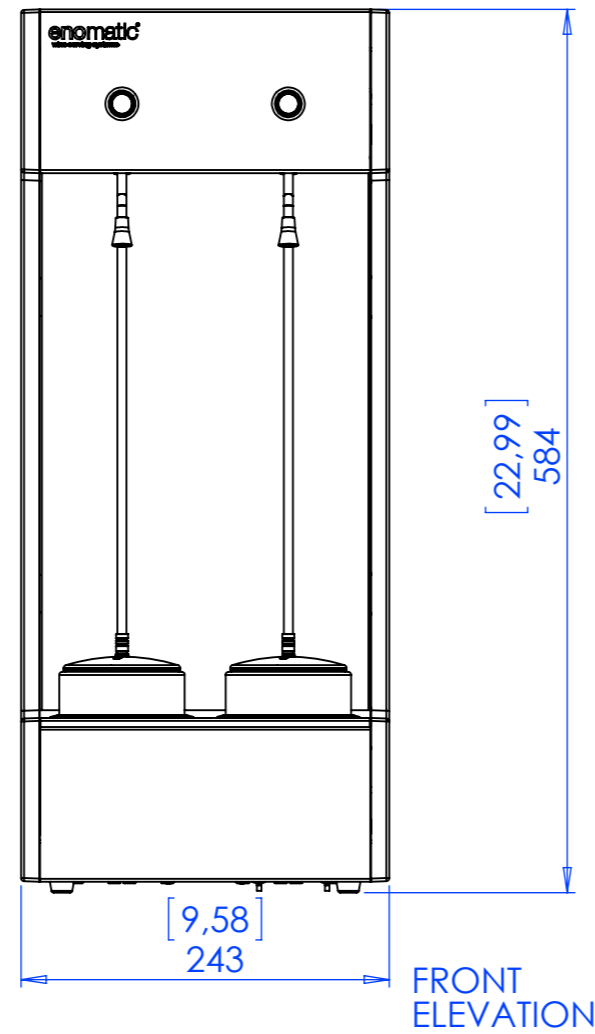
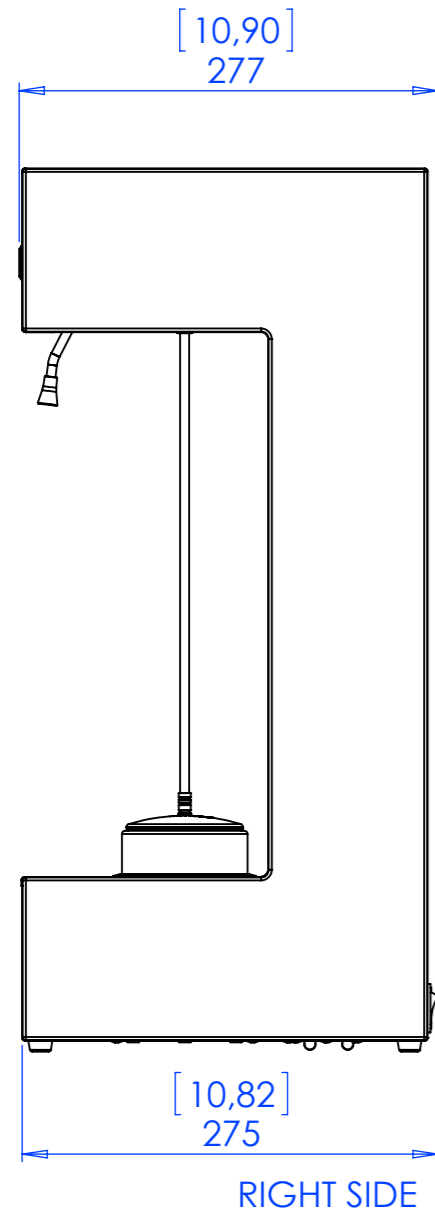
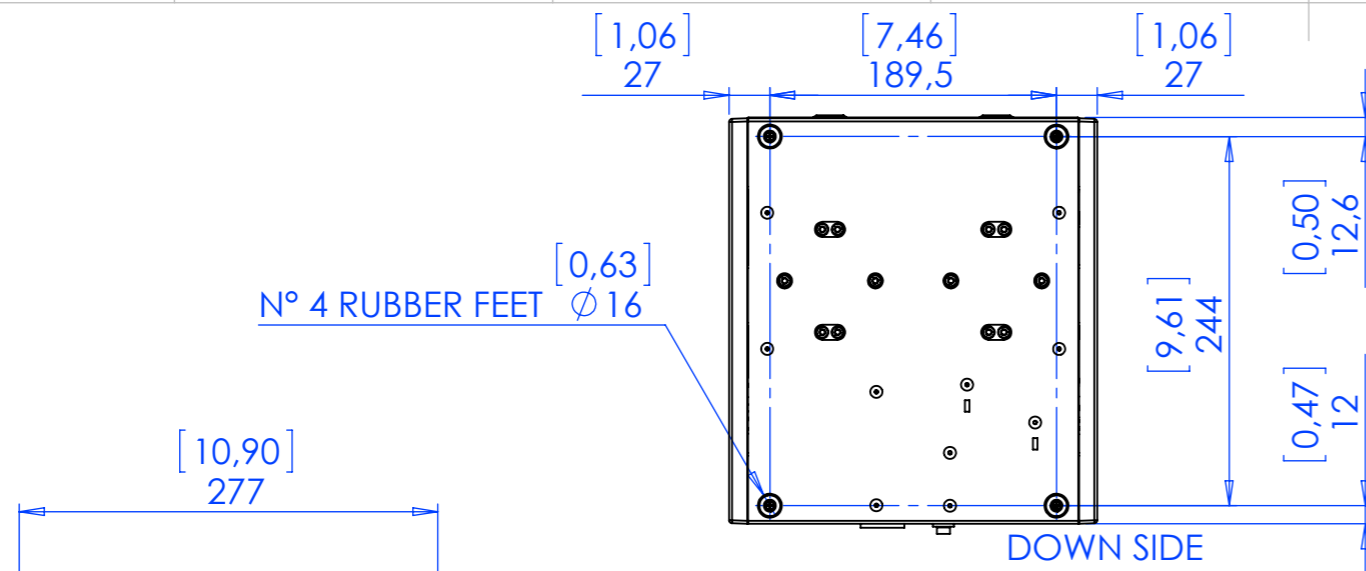
DWG NO. **ES22-YM000**

SCALE: 1:3 LANGUAGE: ITALIANO FINISH: THICKNESS:

A3 SHEET 1 OF 5

QUOTE SENZA INDICAZIONI DI TOLLERANZA SECONDO UNI EN 22768 - mH  
DIMENSIONS WITHOUT TOLERANCE FIGURES, ACCORDING TO UNI EN 22768 - mH. STANDARD

# ENOLIVING 2 BOTT.



NOTE:  
-ALL DIMENSIONS IN mm [inches]

PROPRIETARY AND CONFIDENTIAL  
THE INFORMATION CONTAINED IN THIS  
DRAWING IS THE SOLE PROPERTY OF  
ENOMATIC. ANY REPRODUCTION IN  
PART OR AS A WHOLE WITHOUT THE  
WRITTEN PERMISSION OF ENOMATIC  
IS PROHIBITED.

REV.	DESCRIPTION	DATE	EXECUTOR	CHK'D	APPV'D
CODE:	MATERIAL:	/	MATERIAL CODE:	WEIGHT Kg:	

**enomatic®**  
wine serving systems

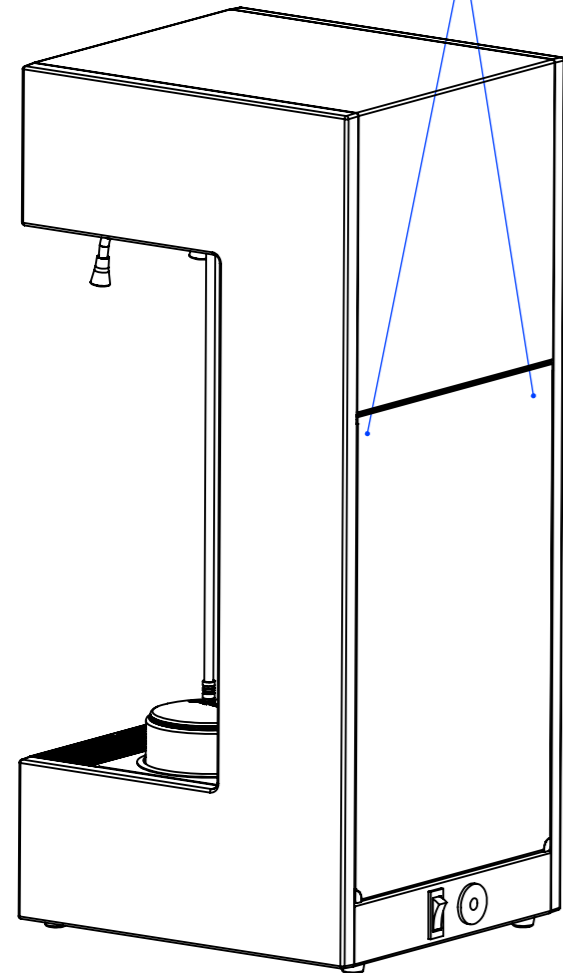
TITLE: ENOLIVING 2 BOTT.

DWG NO. ES22-YM000

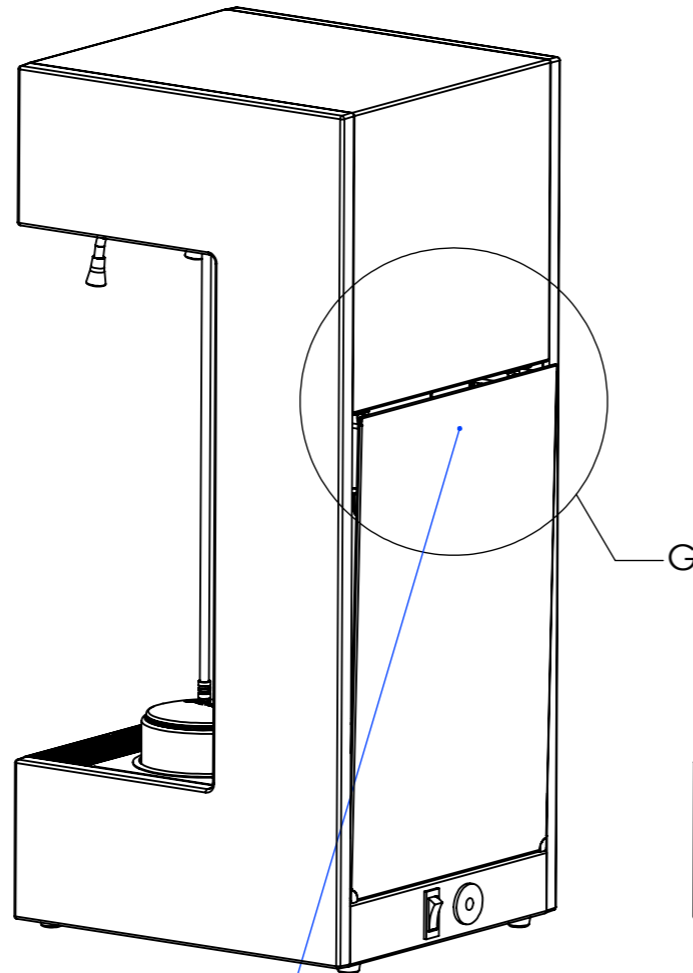
SCALE: 1:5 LANGUAGE: ITALIANO FINISH: THICKNESS: SHEET 2 OF 5

# ENOLIVING 2 BOTT. -REPLACEMENT DISPOSABLE ARGON GAS CANISTER - NOT INCLUDED DISPOSABLE ARGON GAS CANISTER

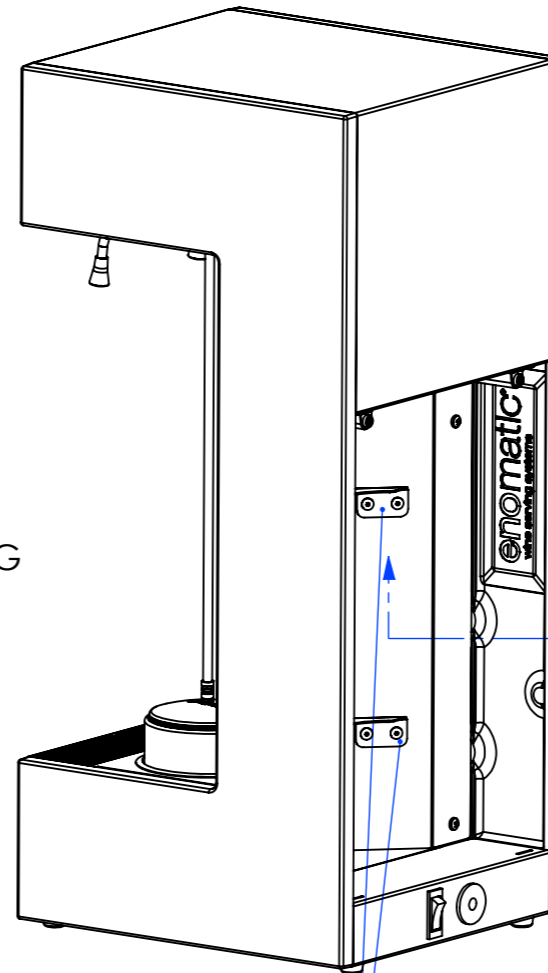
PUSH THE PANEL IN THIS AREA AND PULL IT TO OPEN



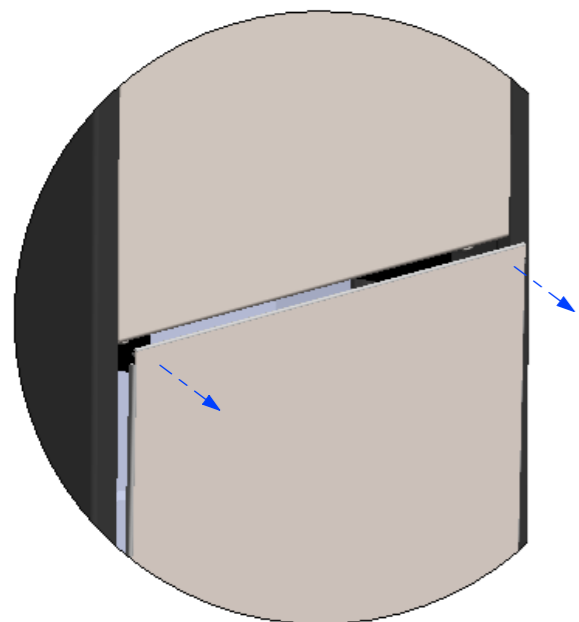
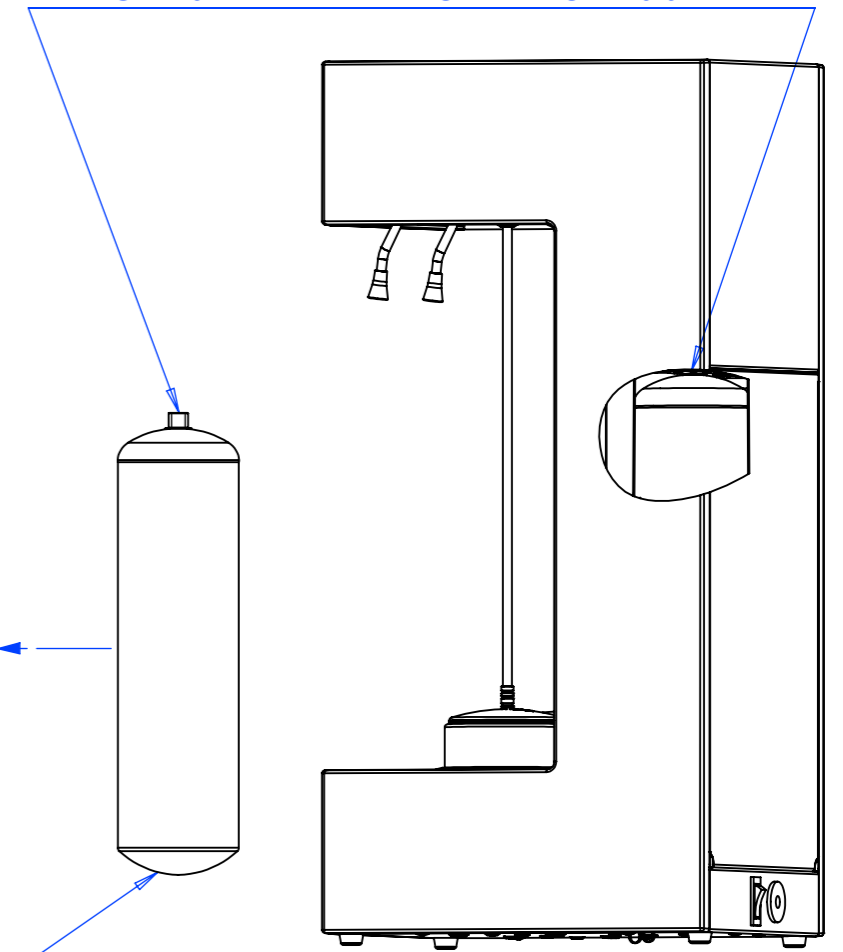
AFTER THE RELEASE OF THE DOOR REMOVE IT FROM THE MAGNET SUPPORT



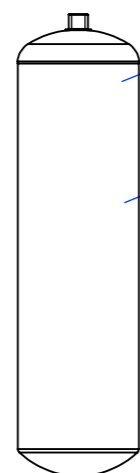
TAKE THE ARGON CANISTER AND LET IT SLIDE IN APPROPRIATE RAIL



ATTENTION!  
SCREW AND TIGHT THE CANISTER THREAD PROPERLY ON ITS SEAT



DETAIL G  
SCALE 2 : 5



**6448** { CODE TO ORDER N°1 DISPOSABLE ARGON CANISTER M11X1 0.95 L }  
**6449** { CODE TO ORDER N°24 DISPOSABLE ARGON CANISTER M11X1 0.95 L }

PROPRIETARY AND CONFIDENTIAL  
THE INFORMATION CONTAINED IN THIS  
DRAWING IS THE SOLE PROPERTY OF  
ENOMATIC. ANY REPRODUCTION IN  
PART OR AS A WHOLE WITHOUT THE  
WRITTEN PERMISSION OF ENOMATIC  
IS PROHIBITED.

REV.	DESCRIPTION	DATE	EXECUTOR	CHK'D	APP'V'D
CODE:	MATERIAL:	/		MATERIAL CODE:	WEIGHT Kg:

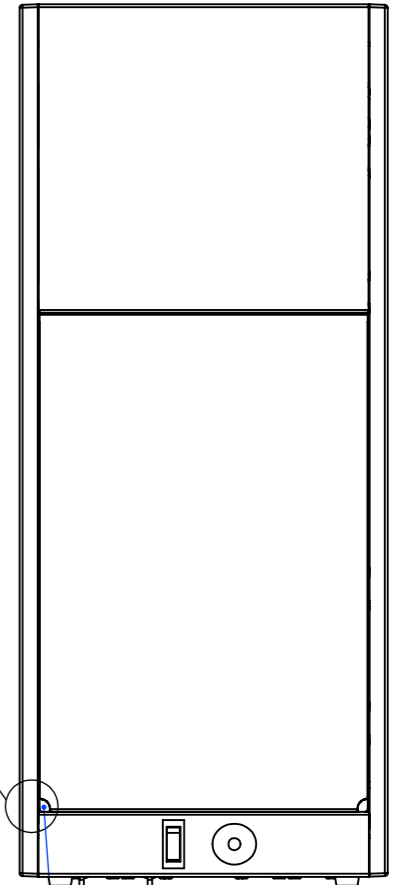
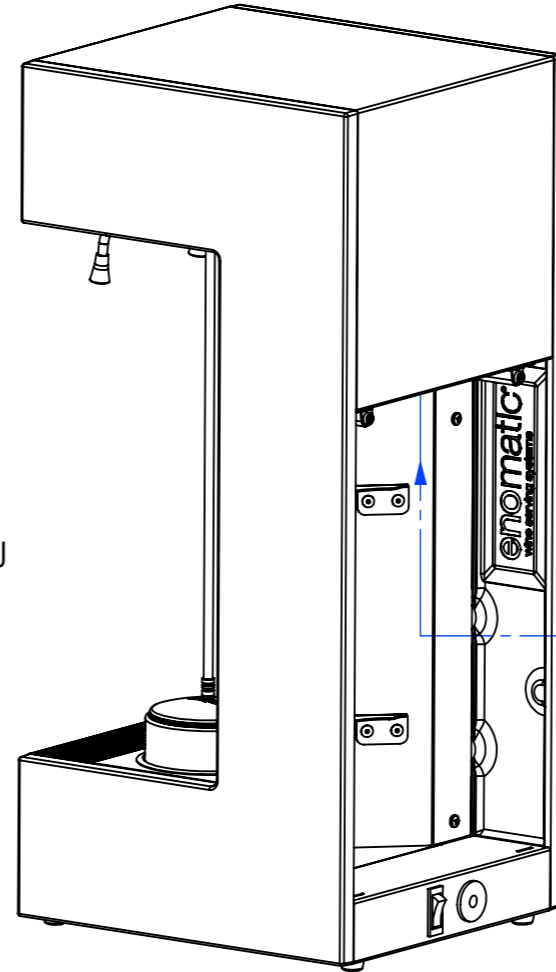
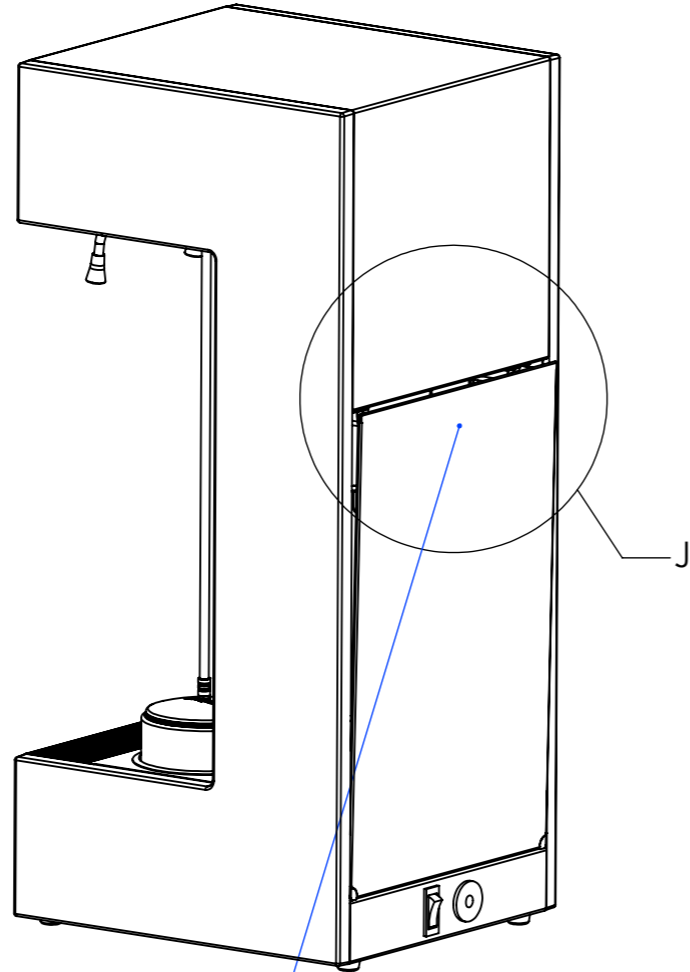
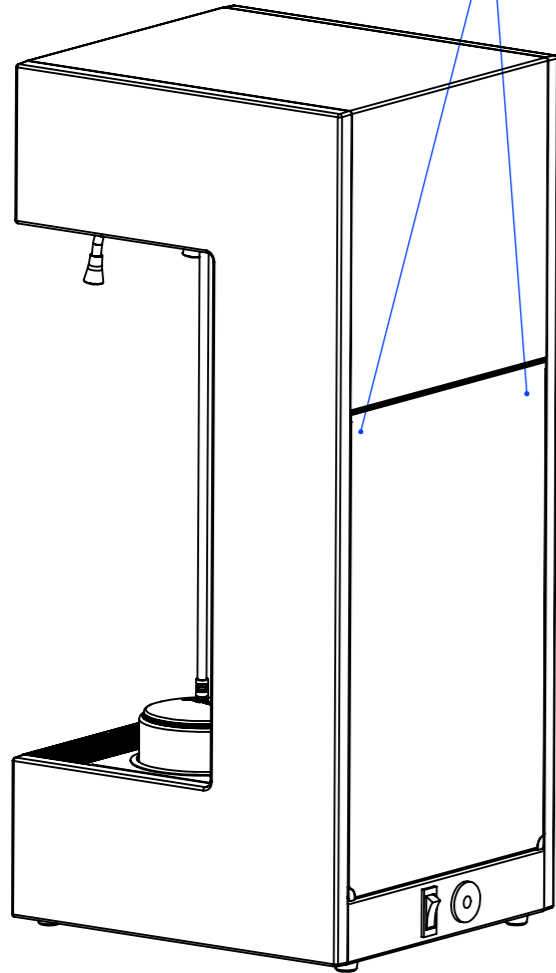
**enomatic**  
wine serving systems

TITLE:	ENOLIVING 2 BOTT.	
DWG NO.	ES22-YM000	A3
QUOTE SENZA INDICAZIONI DI TOLLERANZA SECONDO UNI EN 22768 - mH DIMENSIONS WITHOUT TOLERANCE FIGURES, ACCORDING TO UNI EN 22768 - mH. STANDARD		
SCALE:1:5	LANGUAGE: ITALIANO	FINISH: THICKNESS: SHEET 3 OF 5

# ENOLIVING 2 BOTT. -ASSEMBLY INLET ADAPTER FOR EXTERNAL GAS CYLINDER- INLET ADAPTER NOT INCLUDED

PUSH THE PANEL IN THIS AREA AND PULL IT TO OPEN

ATTENTION!  
SCREW AND TIGHT THE  
INLET ADAPTER THREAD PROPERLY ON ITS SEAT

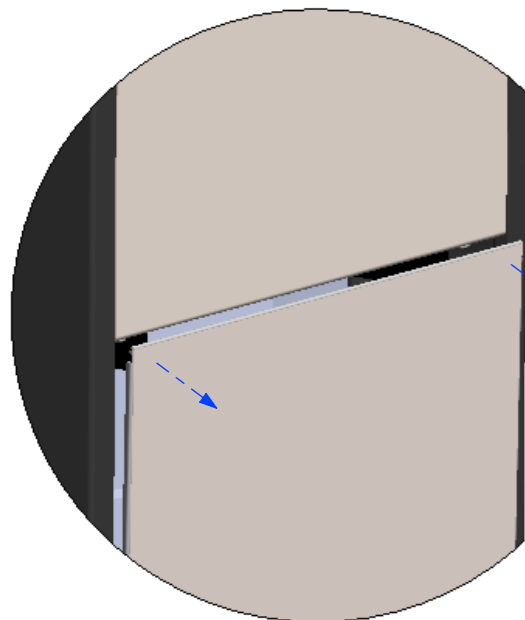


BACK ELEVATION

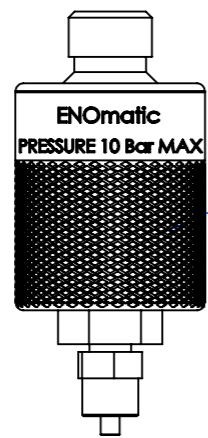
AFTER THE RELEASE OF THE DOOR REMOVE IT FROM THE MAGNET SUPPORT

- NITROGEN OR ARGON GAS CONNECTION
- ATTENTION!!! PRESSURE 4 Bar MINIMUM - 10 Bar MAXIMUM
- EXTERNAL DIAMETER PIPE  $\varnothing$  4 mm
- NEEDED PRESSURE REGULATOR 4 Bar OUTLET ENOMATIC CODE 6431

REMOVE TO PASS THE PIPE FROM THE INLET ADAPTER TO THE EXTERNAL GAS CYLINDER

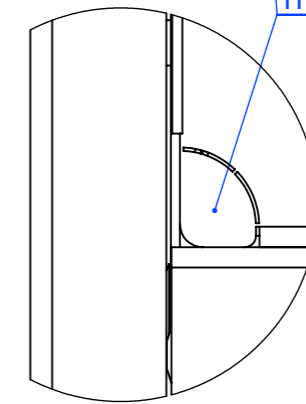


DETAIL J  
SCALE 2 : 5



DETTAGLIO K  
SCALA 1 : 1

**7000** { CODE TO ORDER N°1 INLET ADAPTER FOR EXTERNAL GAS CYLINDER }



DETTAGLIO N  
SCALA 1.5 : 1

**enomatic®**  
wine serving systems

TITLE:  
**ENOLIVING 2 BOTT.**

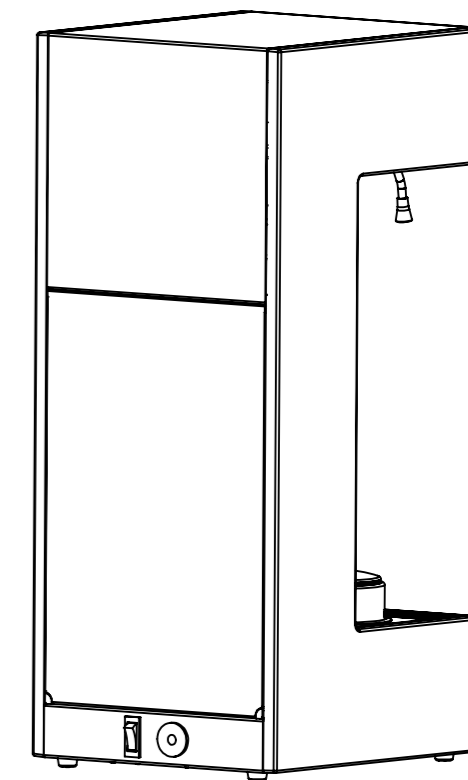
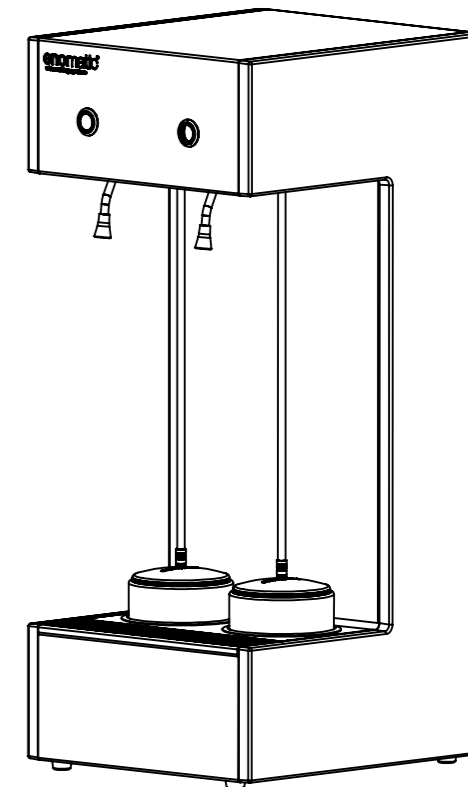
PROPRIETARY AND CONFIDENTIAL  
THE INFORMATION CONTAINED IN THIS DRAWING IS THE SOLE PROPERTY OF ENOMATIC. ANY REPRODUCTION IN PART OR AS A WHOLE WITHOUT THE WRITTEN PERMISSION OF ENOMATIC IS PROHIBITED.

REV.	DESCRIPTION	DATE	EXECUTOR	CHK'D	APPV'D
CODE:	MATERIAL:	/		MATERIAL CODE:	WEIGHT Kg:

DWG NO.	<b>ES22-YM000</b>	A3
QUOTE SENZA INDICAZIONI DI TOLLERANZA SECONDO UNI EN 22768 - mH DIMENSIONS WITHOUT TOLERANCE FIGURES, ACCORDING TO UNI EN 22768 - mH. STANDARD		
SCALE:1:5	LANGUAGE: ITALIANO	FINISH: THICKNESS: SHEET 4 OF 5

# ENOLIVING 2 BOTT.

DIMENSIONS	HEIGHT	584mm	22.99 inches
	WIDTH	243 mm	9.58 inches
	DEPTH	277 mm	10,9 inches
WEIGHT (Kg)		15 Kg	33 lbs
FINISHES	STAINLESS STEEL AISI 304 - BAYDUR (SIDES)		
		VERSION FOR USA & CANADA MARKETS	ALL OTHERS MARKETS
ELETRICAL FEATURES	VOLTAGE (V)	115 V	100 V - 240 V
	FREQUENCY (Hz)	60Hz	50 Hz - 60Hz
	POWER (W)	25 W	
	FUSES	NO FUSES	
ARGON E938 ( FOOD GRADE)		WITH ARGON CANISTER	
NITROGEN E941 (FOOD GRADE) OR ARGON E938 ( FOOD GRADE)		WITH INLET ADAPTER FOR EXTERNAL GAS CYLINDER	



**enomatic®**  
wine serving systems

TITLE:	ENOLIVING 2 BOTT.		
DWG NO.	ES22-YM000	A3	
<small>QUOTE SENZA INDICAZIONI DI TOLLERANZA SECONDO UNI EN 22768 - mH DIMENSIONS WITHOUT TOLERANCE FIGURES, ACCORDING TO UNI EN 22768 - mH. STANDARD</small>			
SCALE:1:3	LANGUAGE: ITALIANO	FINISH:	THICKNESS:
			SHEET 5 OF 5

PROPRIETARY AND CONFIDENTIAL  
THE INFORMATION CONTAINED IN THIS  
DRAWING IS THE SOLE PROPERTY OF  
ENOMATIC. ANY REPRODUCTION IN  
PART OR AS A WHOLE WITHOUT THE  
WRITTEN PERMISSION OF ENOMATIC  
IS PROHIBITED.

02	REVISIONATA TABELLA REV. TABLE	10/07/2013	PANICHI		
REV.	DESCRIPTION	DATE	EXECUTOR	CHK'D	APPV'D
CODE:	MATERIAL:		MATERIAL CODE:	WEIGHT Kg:	
	/				