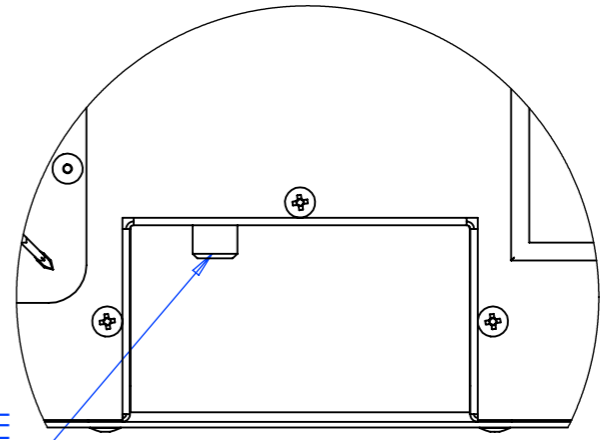


NOTE

-ALL DIMENSIONS IN mm (inches)

PROPRIETARY AND CONFIDENTIAL
 THE INFORMATION CONTAINED IN THIS
 DRAWING IS THE SOLE PROPERTY OF
 <INSERT COMPANY NAME HERE>. ANY
 REPRODUCTION IN PART OR AS A WHOLE
 WITHOUT THE WRITTEN PERMISSION OF
 <INSERT COMPANY NAME HERE> IS
 PROHIBITED.

POSSIBLE CONNECTION
 TUBE Ø4mm 1.5 BAR
 ONLY FOR "NORTH POLE
 LIGHT" CONFIGURATION

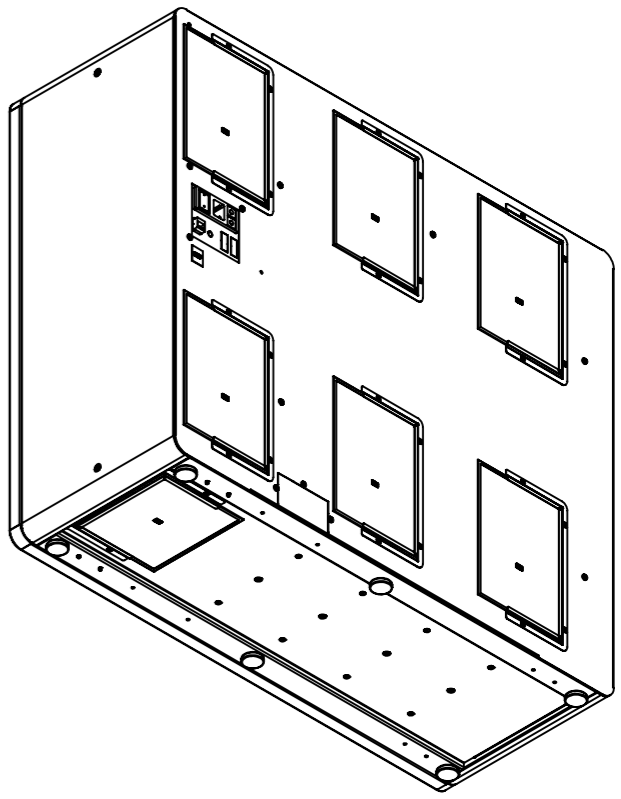
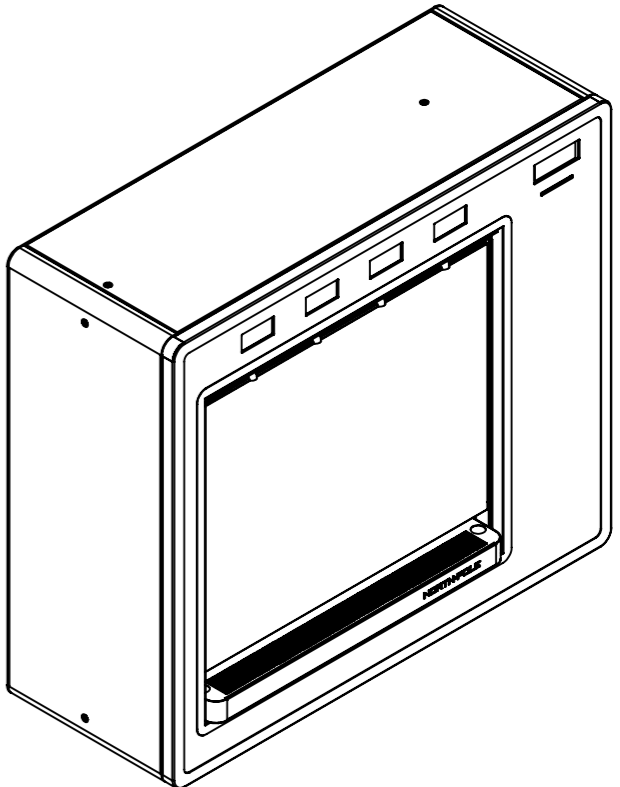


NORTH POLE

REV.	DESCRIPTION	DATE	EXECUTOR	CHK'D	APPV'D
02	GENERAL REV.	15/11/2010	PANICHI		
01	ISSUE	18/06/2010	PANICHI		
03	DIMENS. INCHES ADDED	12/07/2011	PANICHI		

TITLE:	NORTH POLE	
DWG. NO.	ND-YM000	
SCALE:1:10	LANGUAGE: ENGLISH	FINISH: / THICKNESS: /
A3		SHEET 1 OF 6

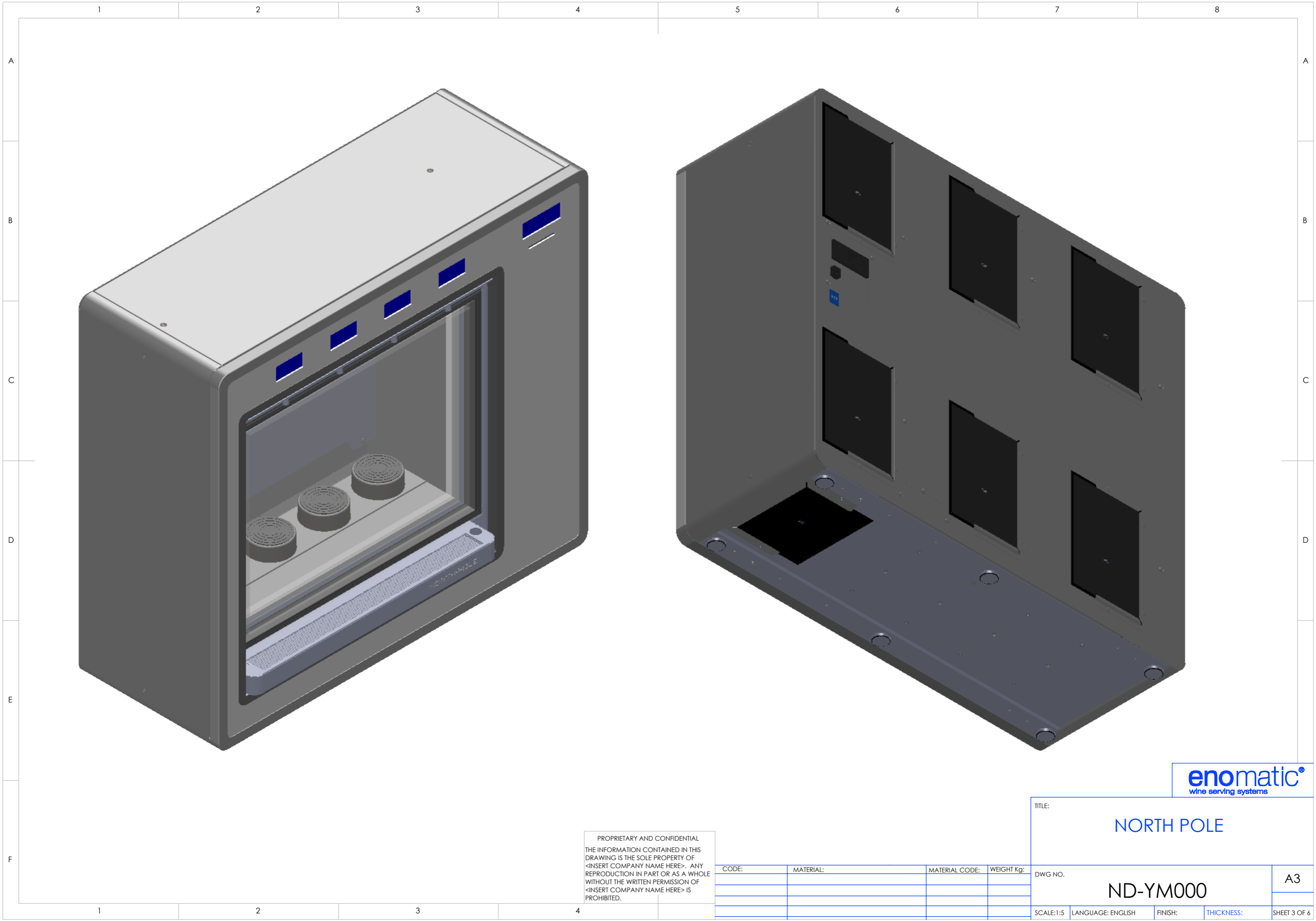
NORTH POLE			
SIZE	HEIGHT (MIN -MAX)	28,740 - 28,937 inches	730 - 735 mm
	WIDTH	32,283 inches	820 mm
	DEPTH	13,189 inches	335 mm
WEIGHT (Kg)		65	
FINISH MATERIALS		STAINLESS STEEL 304	
ELECTRICAL FEATURES	VOLTAGE (V)	110	220
	FREQUENCY (Hz)	60	50
	MAX POWER (W)	180	180
	FUSES	2X8 Amp	2X4 Amp
REFRIGERATION COMPRESSOR SPECIFICATION	REFRIGERATION GAS	R-134A	
	TEMPERATURE CONTROL	ELETTRONIC CONTROLLER	
	DEFROST METHOD	AUTOMATIC VIA ELECTRONIC CONTROLLER	
	METHOD OF DISPLAYNG TEMPERATURE	DIGITAL	
AIR COMPRESSOR INSIDE	TANK AIR GAS PRESSURE	0.5÷1.5 BAR	
	AIR GAS PRESSURE TO DISPENSE	0.16BAR	
N° 4 ELECTRIC PISTON TO LIFT BOTTLES			
N° 1 ELECTRIC PISTON	VOLTAGE	24 V DC	
	NOMINAL CURRENT	1 Amp	
	MAX CURRENT	2.2 Amp	
ACCEPTED BOTTLES	HEIGHT	8.937÷14.449 inches	227÷367 mm
	Ø MAX	4,646 inches	118 mm



PROPRIETARY AND CONFIDENTIAL
 THE INFORMATION CONTAINED IN THIS
 DRAWING IS THE SOLE PROPERTY OF
 <INSERT COMPANY NAME HERE>. ANY
 REPRODUCTION IN PART OR AS A WHOLE
 WITHOUT THE WRITTEN PERMISSION OF
 <INSERT COMPANY NAME HERE> IS
 PROHIBITED.

CODE:	MATERIAL:	MATERIAL CODE:	WEIGHT Kg:

TITLE: NORTH POLE	
DWG NO. ND-YM000	A3
SCALE:1:10 LANGUAGE: ENGLISH FINISH: THICKNESS:	SHEET 2 OF 6



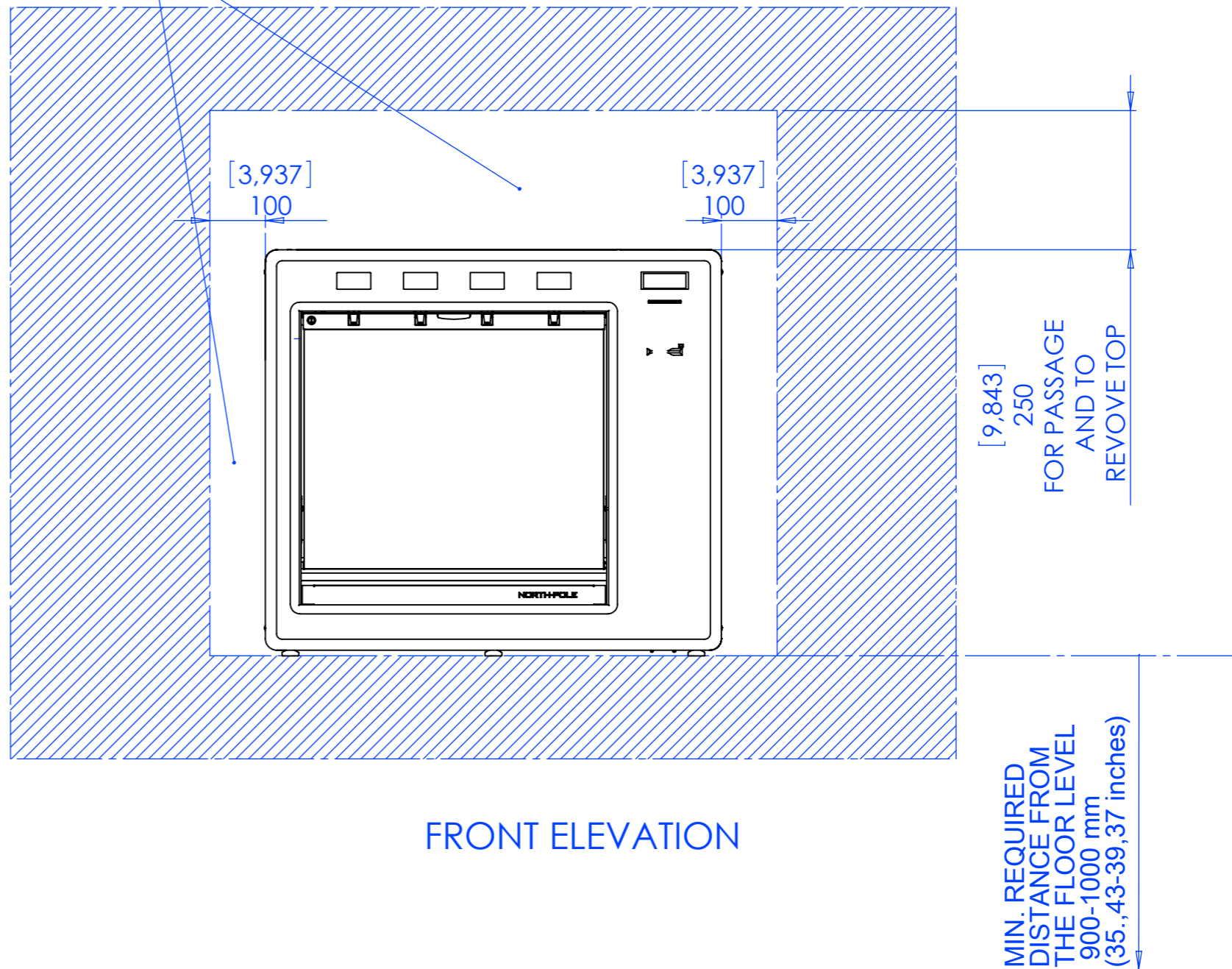
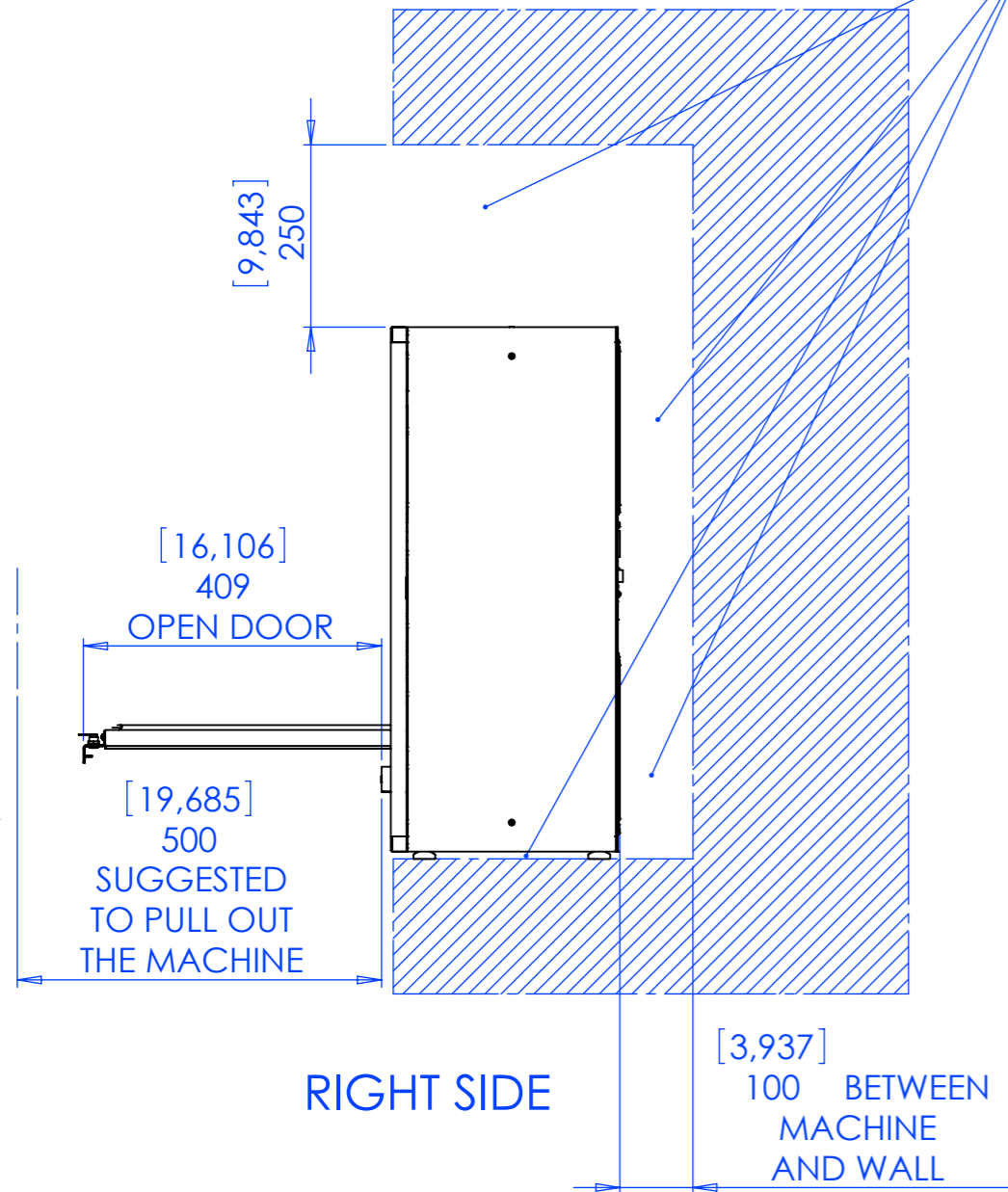
PROPRIETARY AND CONFIDENTIAL
 THE INFORMATION CONTAINED IN THIS
 DRAWING IS THE SOLE PROPERTY OF
 <INSERT COMPANY NAME HERE>. ANY
 REPRODUCTION IN PART OR AS A WHOLE
 WITHOUT THE WRITTEN PERMISSION OF
 <INSERT COMPANY NAME HERE> IS
 PROHIBITED.



TITLE:		NORTH POLE		
DWG NO.		ND-YM000		A3
SCALE:1:5	LANGUAGE: ENGLISH	FINISH:	THICKNESS:	SHEET 3 OF 6

CODE:	MATERIAL:	MATERIAL CODE:	WEIGHT Kg:

IMPORTANT
DON'T OBSTRUCT
THE GAP



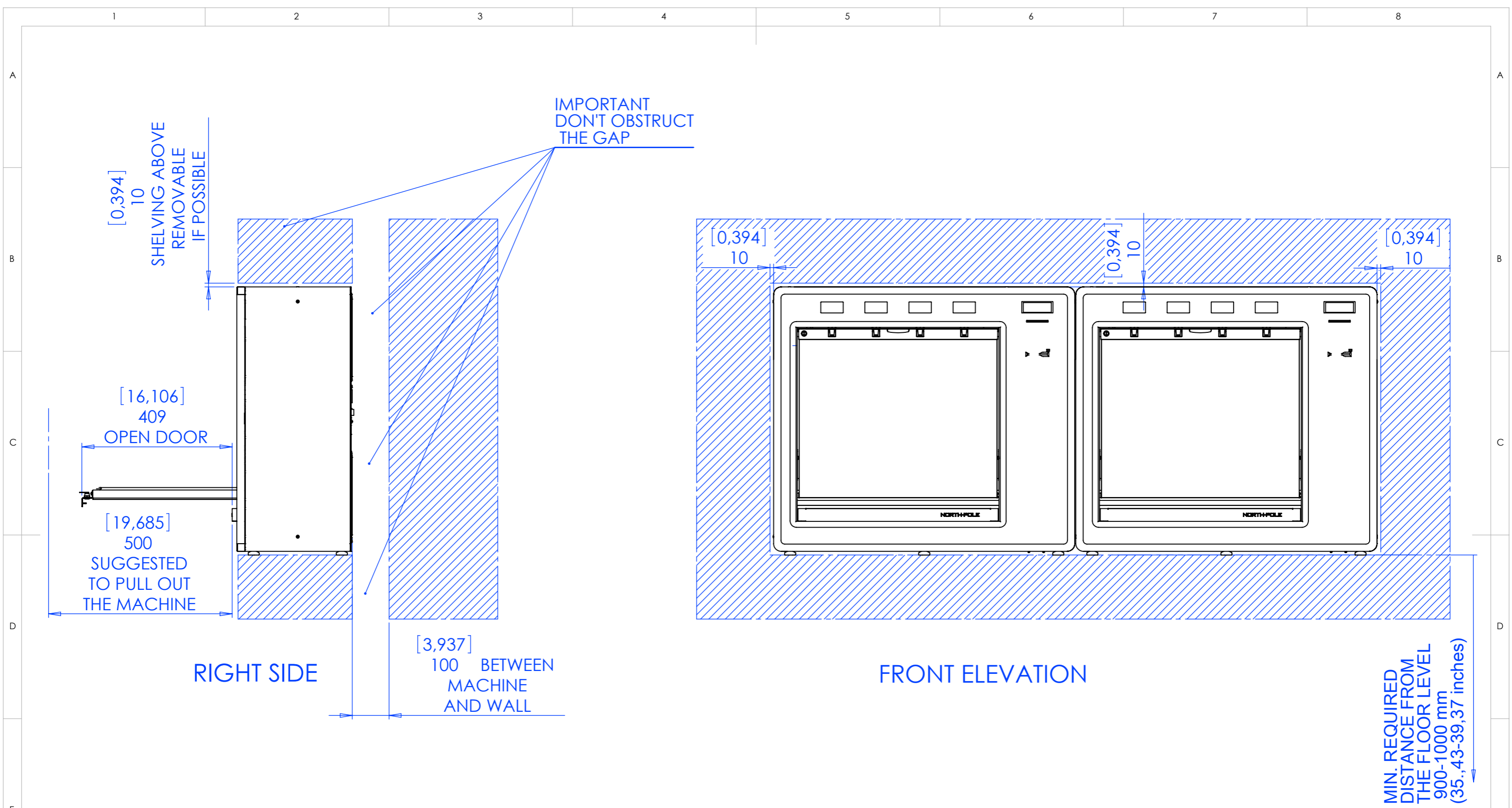
1 - EXAMPLE INSTALLATION - POSITIONING IN FORESEEN BOX
(DIMENSION IN mm (inches) REFER TO MINIMAL REQUIRED
CLEARANCE FOR PROPER PERFORMANCES)



TITLE:		NORTH POLE	
DWG NO.		ND-YM000	
SCALE: 1:5	LANGUAGE: ENGLISH	FINISH:	THICKNESS:
			SHEET 4 OF 6

PROPRIETARY AND CONFIDENTIAL
THE INFORMATION CONTAINED IN THIS
DRAWING IS THE SOLE PROPERTY OF
<INSERT COMPANY NAME HERE>. ANY
REPRODUCTION IN PART OR AS A WHOLE
WITHOUT THE WRITTEN PERMISSION OF
<INSERT COMPANY NAME HERE> IS
PROHIBITED.

CODE:	MATERIAL:	MATERIAL CODE:	WEIGHT Kg:



**2 - EXAMPLE INSTALLATION - BUILT-IN POSITIONING
(DIMENSION IN mm (inches) REFER TO MINIMAL REQUIRED
CLEARANCE FOR PROPER PERFORMANCES)**

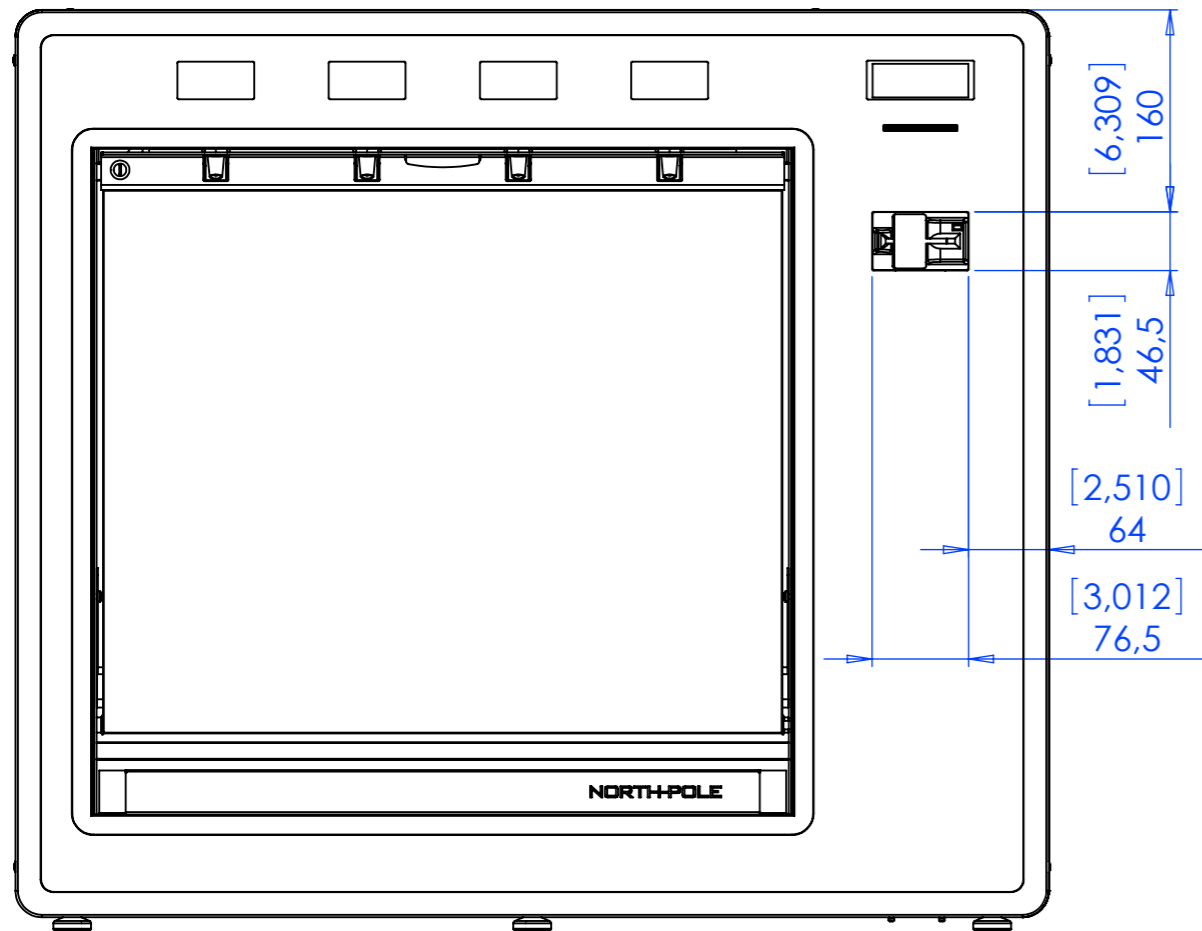


PROPRIETARY AND CONFIDENTIAL
THE INFORMATION CONTAINED IN THIS
DRAWING IS THE SOLE PROPERTY OF
<INSERT COMPANY NAME HERE>. ANY
REPRODUCTION IN PART OR AS A WHOLE
WITHOUT THE WRITTEN PERMISSION OF
<INSERT COMPANY NAME HERE> IS
PROHIBITED.

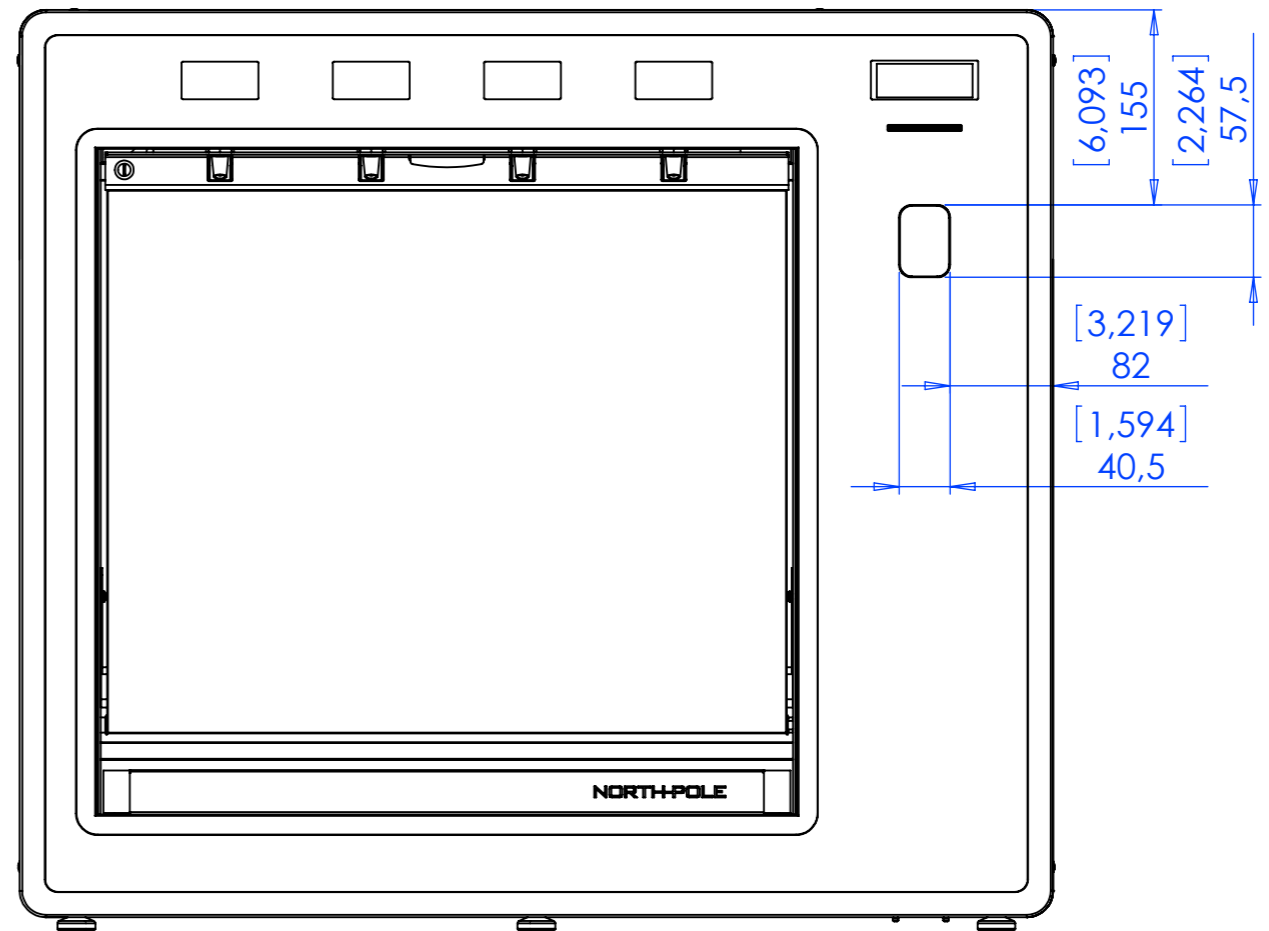
CODE:	MATERIAL:	MATERIAL CODE:	WEIGHT Kg:

TITLE: NORTH POLE	
DWG NO. ND-YM000	A3
SCALE:1:5	LANGUAGE: ENGLISH
FINISH:	THICKNESS:
SHEET 5 OF 6	

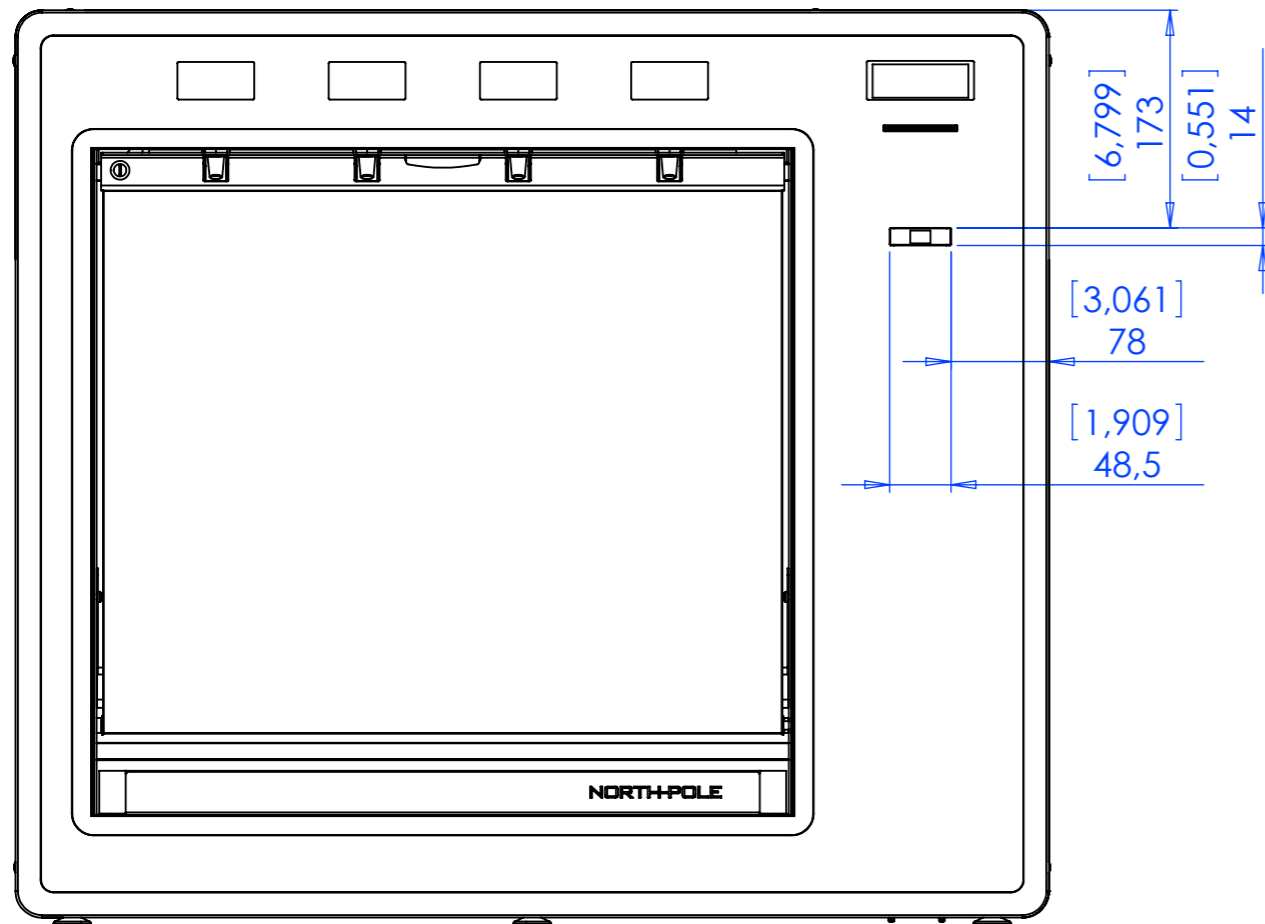
NORTH POLE CUSTOM CONFIGURATION



MAGNETIC READER



FINGERPRINT READER



BARCODE READER

NOTE

-ALL DIMENSIONS IN mm (inches)



PROPRIETARY AND CONFIDENTIAL
THE INFORMATION CONTAINED IN THIS
DRAWING IS THE SOLE PROPERTY OF
<INSERT COMPANY NAME HERE>. ANY
REPRODUCTION IN PART OR AS A WHOLE
WITHOUT THE WRITTEN PERMISSION OF
<INSERT COMPANY NAME HERE> IS
PROHIBITED.

CODE:	MATERIAL:	MATERIAL CODE:	WEIGHT Kg:

TITLE: NORTH POLE		DWG NO. ND-YM000	A3
SCALE:1:6	LANGUAGE: ENGLISH	FINISH:	THICKNESS:
			SHEET 6 OF 6