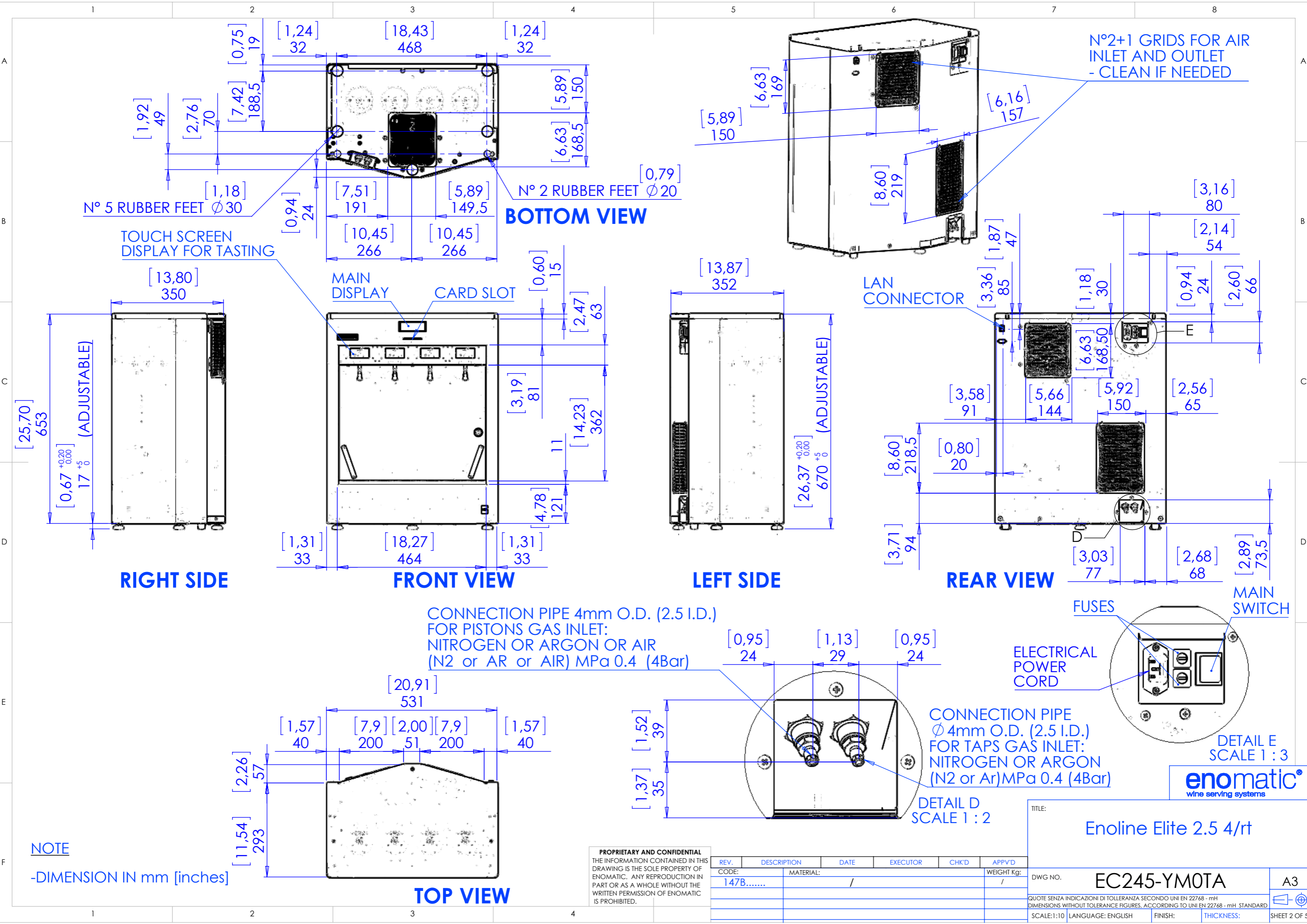


TITLE:		Enoline Elite 2.5 4/rt	
DWG NO.	EC245-YM0TA	A3	
<small>QUOTE SENZA INDICAZIONI DI TOLLERANZA SECONDO UNI EN 22768 - mH          DIMENSIONS WITHOUT TOLERANCE FIGURES, ACCORDING TO UNI EN 22768 - mH. STANDARD</small>			
SCALE:1:5	LANGUAGE: ENGLISH	FINISH:	THICKNESS:
SHEET 1 OF 5			

**PROPRIETARY AND CONFIDENTIAL**  
 THE INFORMATION CONTAINED IN THIS DRAWING IS THE SOLE PROPERTY OF ENOMATIC. ANY REPRODUCTION IN PART OR AS A WHOLE WITHOUT THE WRITTEN PERMISSION OF ENOMATIC IS PROHIBITED.

00	ISSUE	08/03/2016	PANICHI		
REV.	DESCRIPTION	DATE	EXECUTOR	CHK'D	APPV'D
CODE:	MATERIAL:				WEIGHT Kg:
147B.....	/				/



**NOTE**  
 -DIMENSION IN mm [inches]

**PROPRIETARY AND CONFIDENTIAL**  
 THE INFORMATION CONTAINED IN THIS DRAWING IS THE SOLE PROPERTY OF ENOMATIC. ANY REPRODUCTION IN PART OR AS A WHOLE WITHOUT THE WRITTEN PERMISSION OF ENOMATIC IS PROHIBITED.

REV.	DESCRIPTION	DATE	EXECUTOR	CHK'D	APPV'D
CODE:	MATERIAL:				WEIGHT Kg:
147B.....	/	/			/

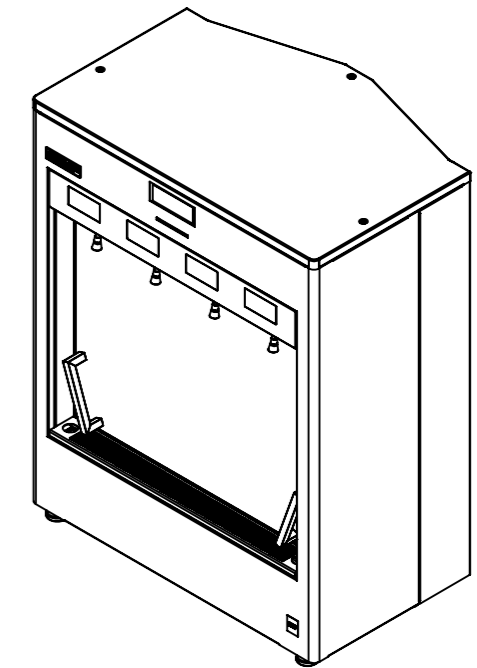
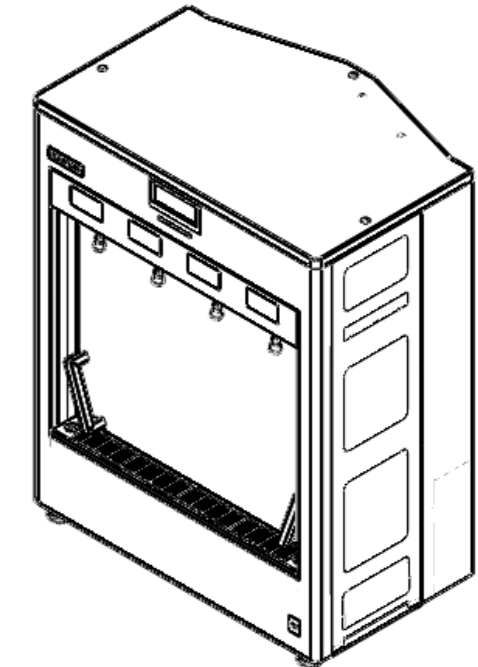
TITLE: **Enoline Elite 2.5 4/rt**

DWG NO. **EC245-YM0TA**

SCALE: 1:10 LANGUAGE: ENGLISH FINISH: THICKNESS: SHEET 2 OF 5

**enomatic®**  
 wine serving systems

<b>ENOLINE ELITE 2.5 4/rt</b>						
SIZE	HEIGHT (MIN -MAX)	670-675 mm [26.37-26.58]				
	DEPTH	352 mm [13.87]				
	WIDTH	531 mm [20.91]				
WEIGHT (Kg)	32 Kg					
FINISH MATERIALS	STAINLESS STEEL AISI 304 - PAINTED STEEL					
ELETRICAL FEATURES	AVAILABLE MODELS					
	VOLTAGE (V)	100	115	110-127	200-220	220-240
	FREQUENCY (Hz)	50-60	60	60	50-60	50
	POWER (W)	70	70	70	70	70
	FUSES	2X8Amp@125V	2X8Amp@125V	2X8Amp@125V	2X8Amp@250V	2X8Amp@250V
PRESSURE GAS FOR TAPS (ARGON OR NITROGEN)		MPa 0.4 (4 Bar)				
PRESSURE GAS FOR PISTONS (ARGON OR NITROGEN OR AIR)		MPa 0.4 (4 Bar)				
ACCEPTED BOTTLES	HEIGHT	280÷360mm [11.024÷14.173]				
	Ø MAX	102mm [4.016]				



**NOTE**

-DIMENSION IN mm [inches]

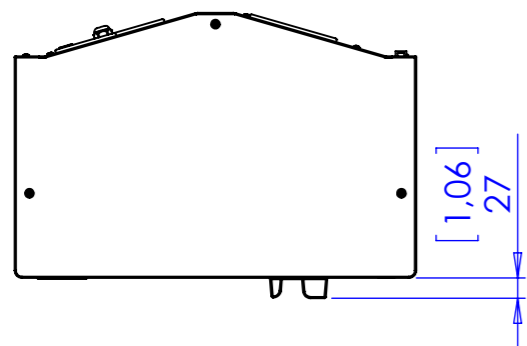
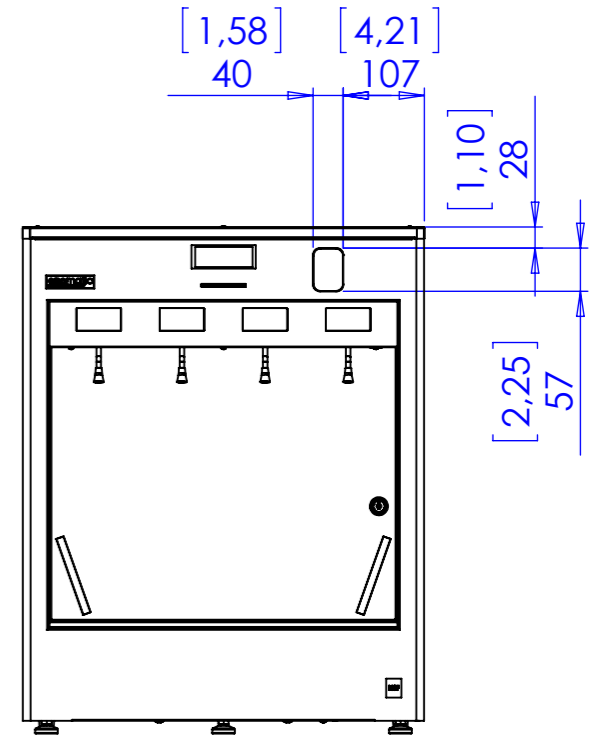
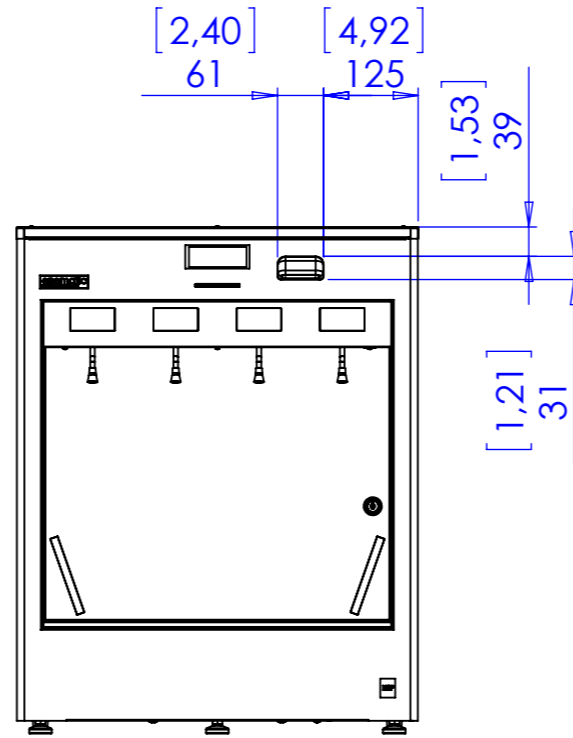
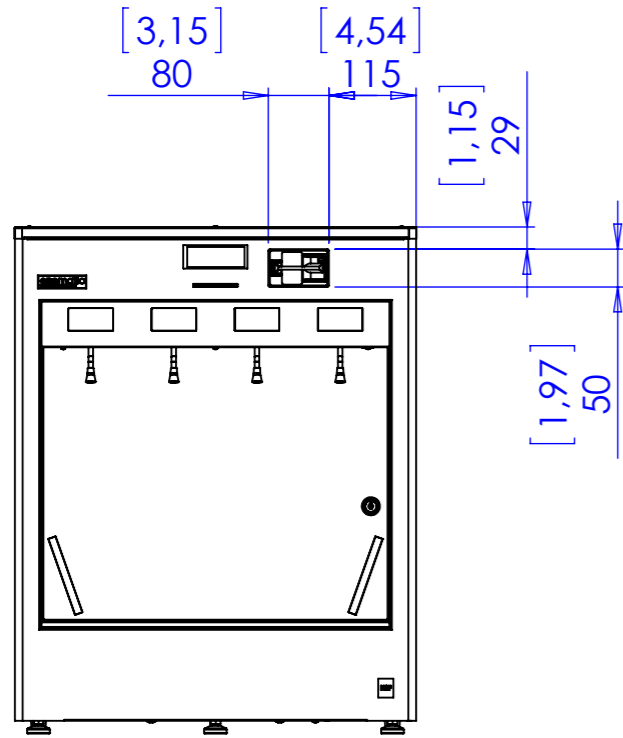
**PROPRIETARY AND CONFIDENTIAL**  
 THE INFORMATION CONTAINED IN THIS DRAWING IS THE SOLE PROPERTY OF ENOMATIC. ANY REPRODUCTION IN PART OR AS A WHOLE WITHOUT THE WRITTEN PERMISSION OF ENOMATIC IS PROHIBITED.

REV.	DESCRIPTION	DATE	EXECUTOR	CHK'D	APPV'D
CODE:	MATERIAL:				WEIGHT Kg:
147B.....	/				/

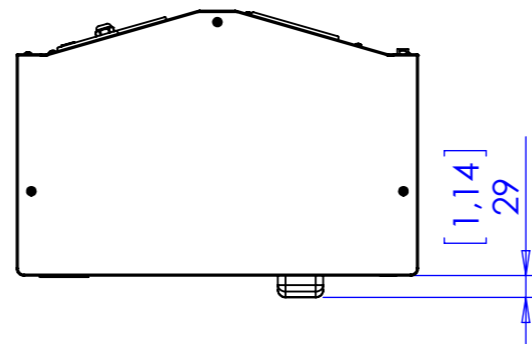


TITLE:	<b>Enoline Elite 2.5 4/rt</b>	
DWG NO.	<b>EC245-YM0TA</b>	<b>A3</b>
<small>QUOTE SENZA INDICAZIONI DI TOLLERANZA SECONDO UNI EN 22768 - mH          DIMENSIONS WITHOUT TOLERANCE FIGURES, ACCORDING TO UNI EN 22768 - mH. STANDARD</small>		
SCALE:1:10	LANGUAGE: ENGLISH	FINISH: THICKNESS: SHEET 3 OF 5

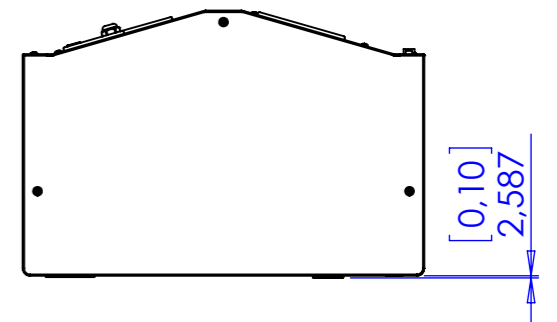
# ENOLINE ELITE 2.5 4/rt CUSTOM CONFIGURATION



MAGNETIC READER



BARCODE READER



FINGERPRINT READER

**NOTE**  
-DIMENSION IN mm [inches]

**PROPRIETARY AND CONFIDENTIAL**  
THE INFORMATION CONTAINED IN THIS DRAWING IS THE SOLE PROPERTY OF ENOMATIC. ANY REPRODUCTION IN PART OR AS A WHOLE WITHOUT THE WRITTEN PERMISSION OF ENOMATIC IS PROHIBITED.

REV.	DESCRIPTION	DATE	EXECUTOR	CHK'D	APP'VD
CODE:	MATERIAL:				WEIGHT Kg:
147B.....	/				/



TITLE: **Enoline Elite 2.5 4/rt**

DWG NO. **EC245-YM0TA**

SCALE:1:10 LANGUAGE: ENGLISH FINISH: THICKNESS:

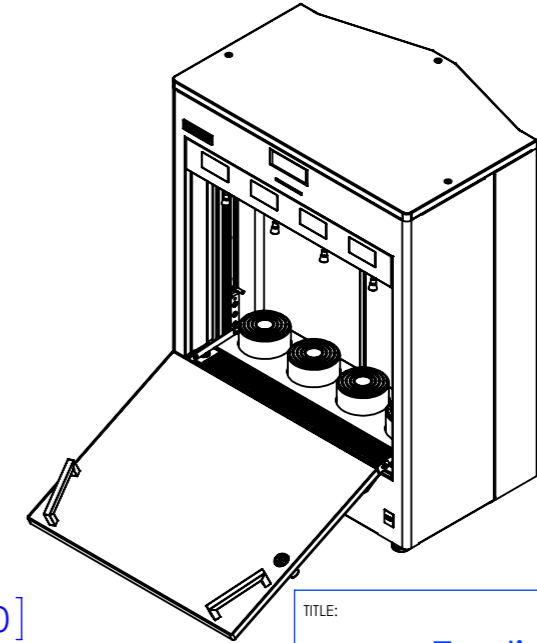
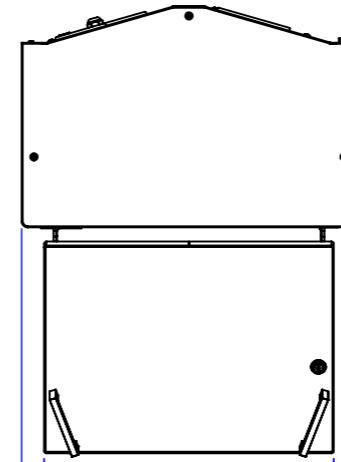
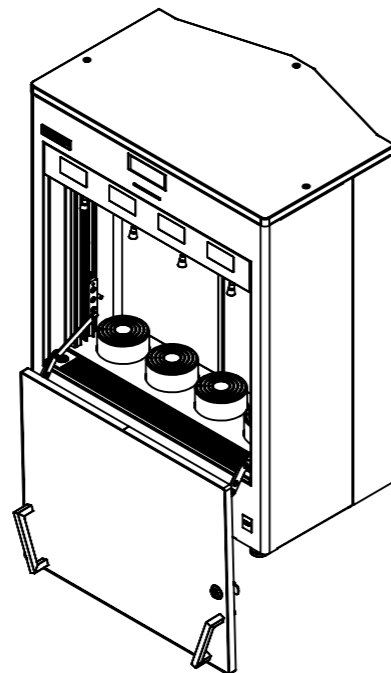
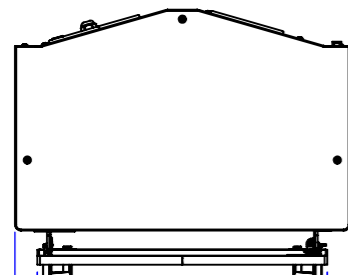
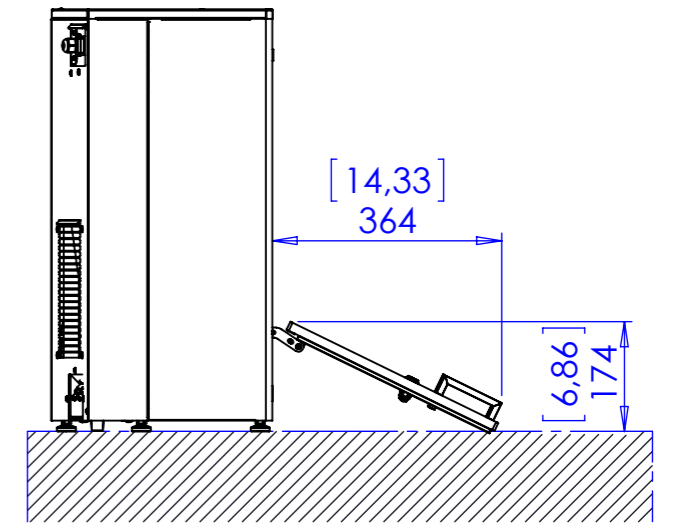
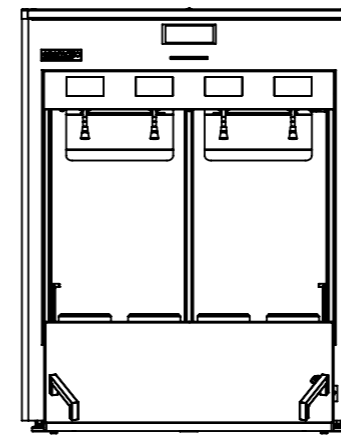
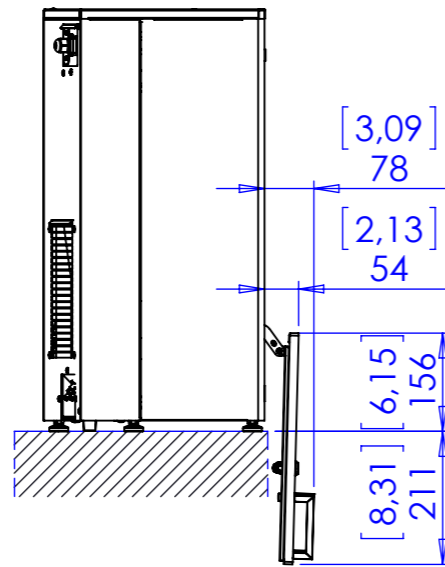
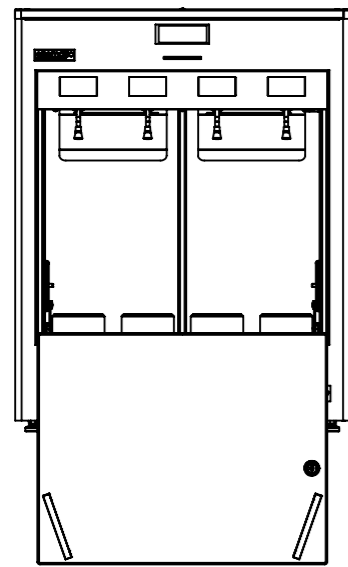
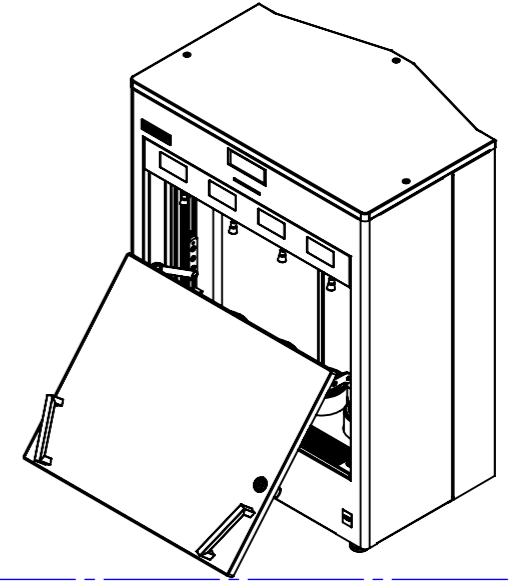
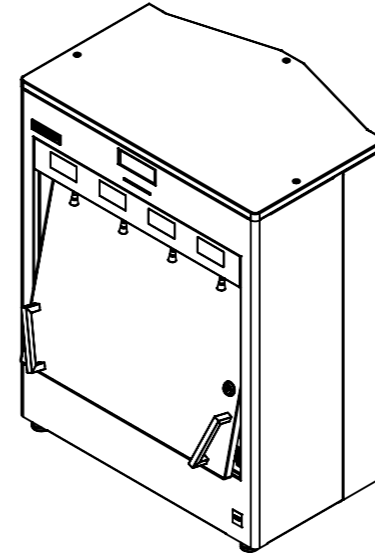
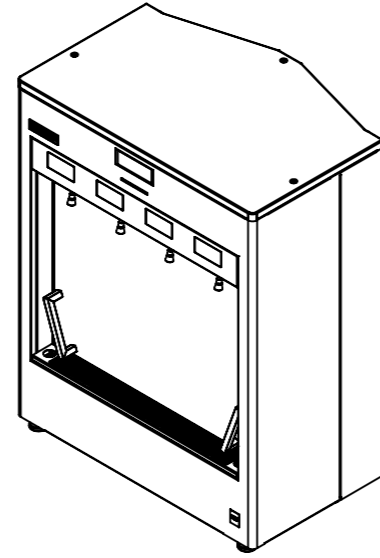
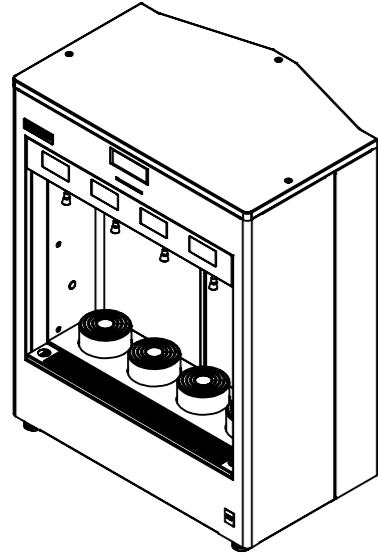
A3

QUOTE SENZA INDICAZIONI DI TOLLERANZA SECONDO UNI EN 22768 - mH  
DIMENSIONS WITHOUT TOLERANCE FIGURES, ACCORDING TO UNI EN 22768 - mH STANDARD

SHEET 4 OF 5

CONFIGURATION WITHOUT DOOR

CONFIGURATION WITH DOOR



[1,40] 36 [18,11] 460 [1,40] 36

[1,40] 36 [18,11] 460 [1,40] 36

**enomatic®**  
wine serving systems

TITLE: Enoline Elite 2.5 4/rt

NOTE

-DIMENSION IN mm [inches]

PROPRIETARY AND CONFIDENTIAL  
THE INFORMATION CONTAINED IN THIS DRAWING IS THE SOLE PROPERTY OF ENOMATIC. ANY REPRODUCTION IN PART OR AS A WHOLE WITHOUT THE WRITTEN PERMISSION OF ENOMATIC IS PROHIBITED.

REV.	DESCRIPTION	DATE	EXECUTOR	CHK'D	APP'VD
CODE:	MATERIAL:				WEIGHT Kg:
147B.....	/	/			/

DWG NO.	EC245-YM0TA	A3
QUOTE SENZA INDICAZIONI DI TOLLERANZA SECONDO UNI EN 22768 - mH DIMENSIONS WITHOUT TOLERANCE FIGURES, ACCORDING TO UNI EN 22768 - mH STANDARD		
SCALE: /	LANGUAGE: ENGLISH	FINISH: THICKNESS: SHEET 5 OF 5